

56

# TECHNICAL REPORT

Cylinder liner O-ring set  
60000200 fitting in Renault  
C1C, C1E and C1G engines



## INTRODUCTION

Depending on the cylinders layout, there are two types of engine:

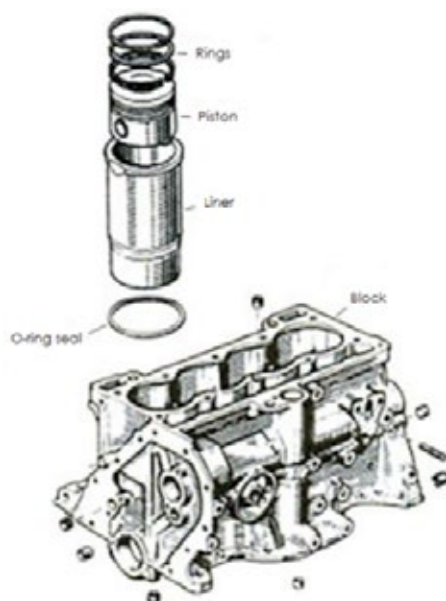
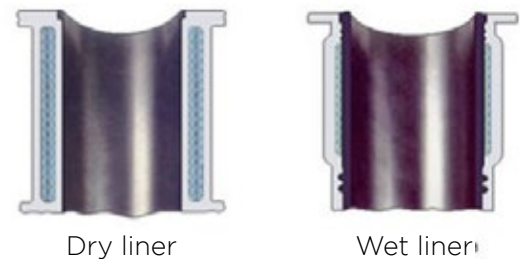
**Integral block:** The cylinders are machined in the block material.

**Block with liners:** instead of machining the cylinders directly in the block, liners are introduced. These liners are removable cylinders attached to the block, which makes its maintenance easier.

Inside the block with liners, the liners can be wet or dry:

**Dry liners:** they are not in contact with the coolant.

**Wet liners:** they are in direct contact with the coolant.



For the wet liners fitting in the block it is necessary to adjust them with O-ring seals that prevent the coolant from passing to the oil sump.

## Cylinder sleeve O-ring set 60000200 fitting in Renault C1C, C1E and C1G engines

Cylinder sleeve O-ring set 60000200 consists of 12 seals divided into 3 coloured groups of 4 seals each:



These colours indicate the seal thickness:

Blue: 0.08 mm  
Red: 0.10 mm  
Green: 0.12 mm

*Only one of these 3 groups of 4 seals must be fitted, so for the assembly we will follow the next steps:*

- 1** Choose the blue seals, which are the ones with the lowest thickness.
- 2** Place the four seals on the liners.
- 3** Put the sleeves inside the engine block and push them with the hand in order to ensure a good supporting surface for the seals.
- 4** Measure with a dial gauge the liner-block height.
- 5** The correct liner-block height must be between 0.04 and 0.12 mm. In case it is not, repeat the process replacing the blue seals with the red ones. If the value is not between 0.04 and 0.12 mm, replace the red seals with the green ones.

