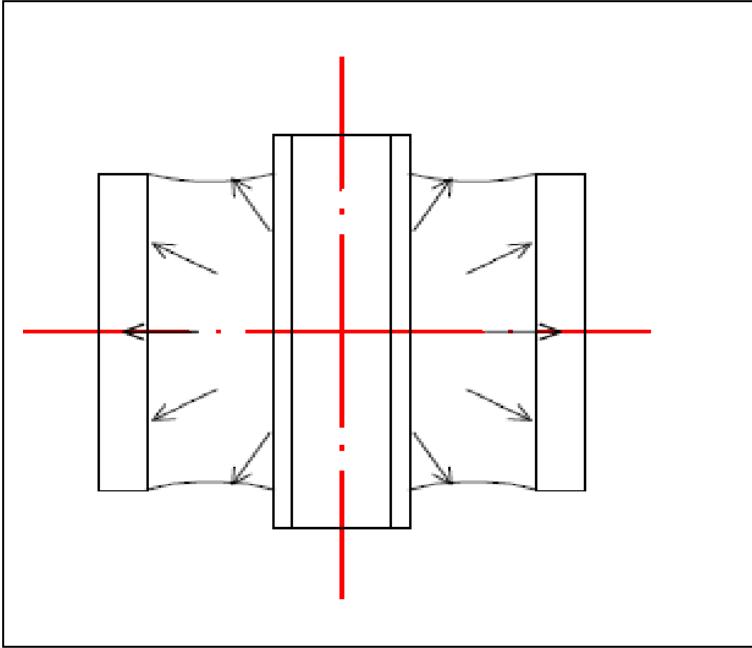


## Common Design Bushing vs. Pillow Arm Bushing

### 1) Common Aftermarket Design Bushing

- Lower manufacturing cost and more economical
- More rubber to absorb shock
- Moving for all directions, thus slower response for suspension and steering



### 2) Pillow Arm Bushing

- Inner bushing made accurately with both high molecule plastic tube and specific metal alloy
- More precise control, solid suspension feel and responsive steering
- Higher durability and reliability

