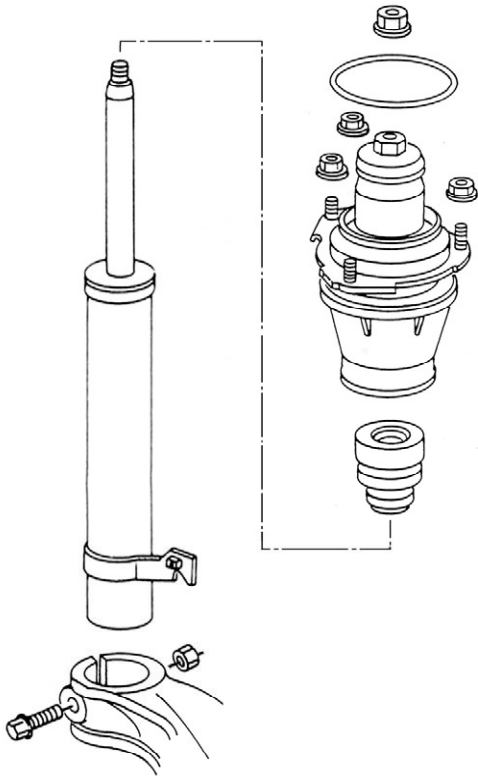


IN-078



22 Nm
70 Nm
75 Nm



O.E
KYB

