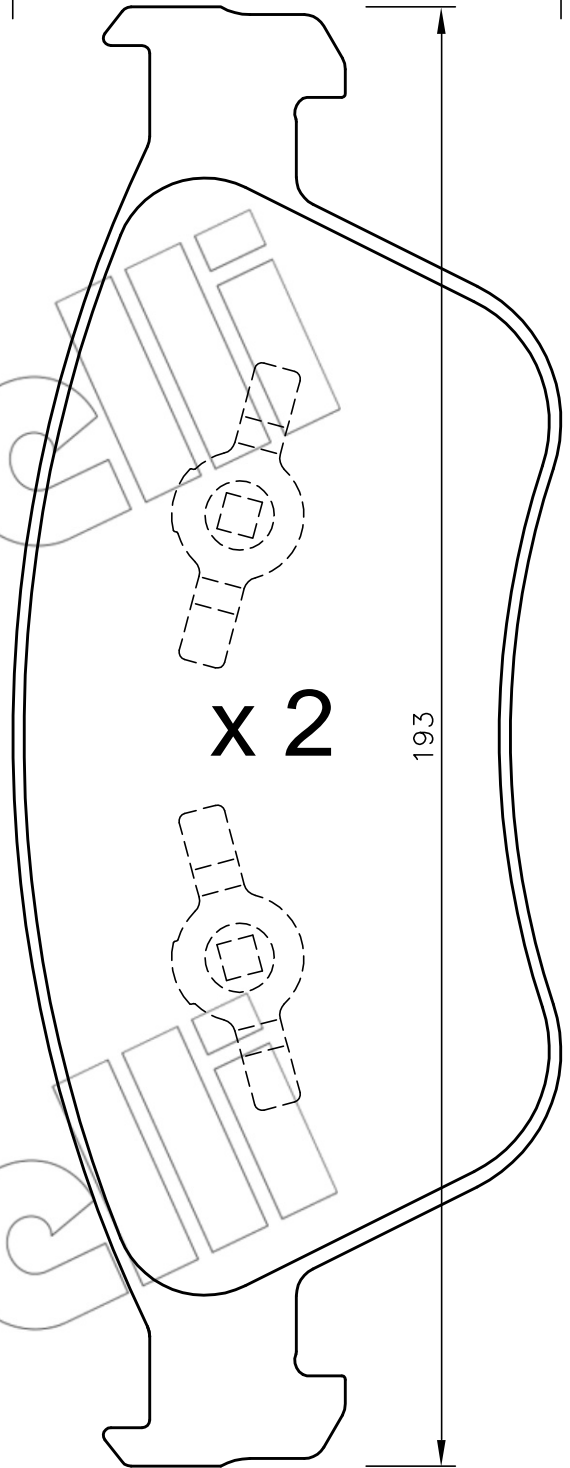


x 2

L = 270



x 2

193