

Replacement of 2452901 with 2508703.

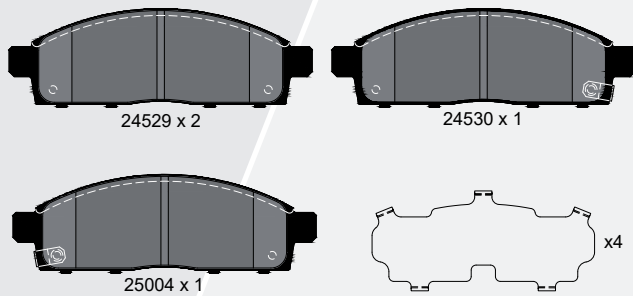
Textar aims to streamline the designation from 2452901 to 2508703.

Given the identical nature of the brake pads we can ensure seamless assembly and operation.

This consolidation extends coverage to a broader range of vehicles under a singular reference, namely 2508703 which comes with drill holes in the plate and therefore is able to cover applications of both part numbers.

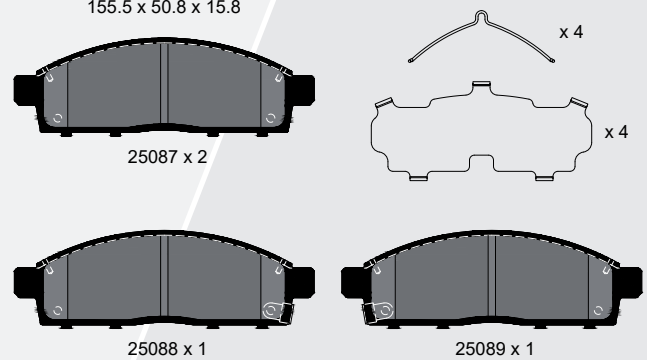
2452901

155.5 x 50.5 x 16.0



2508703

155.5 x 50.8 x 15.8



The current inventory of 2452901 can be effortlessly marketed and sold without any complications.