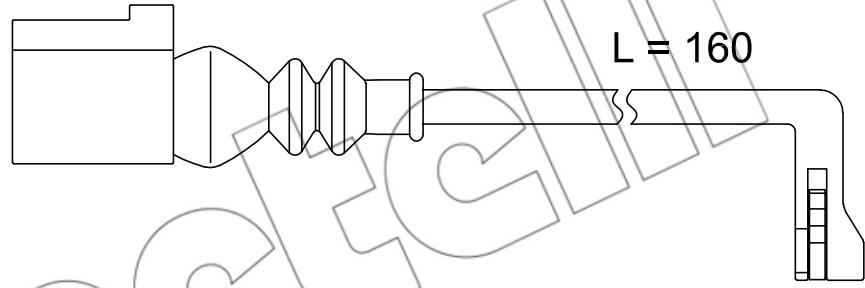
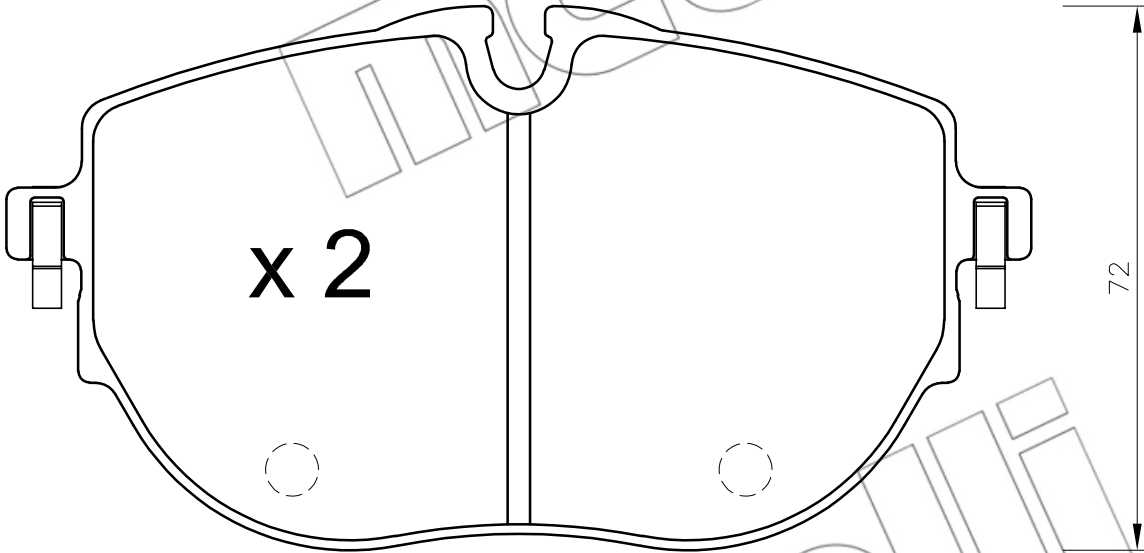


x 1

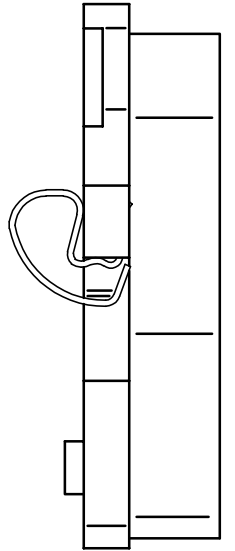


$L = 160$

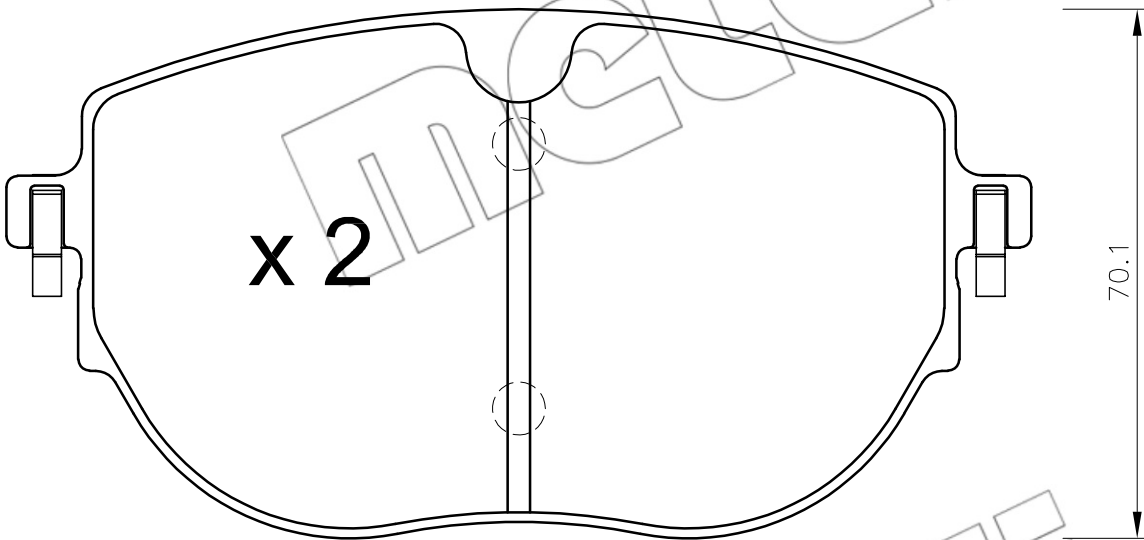
x 2



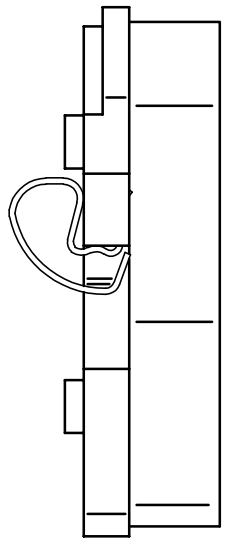
72



x 2



70.1



135.7



18

