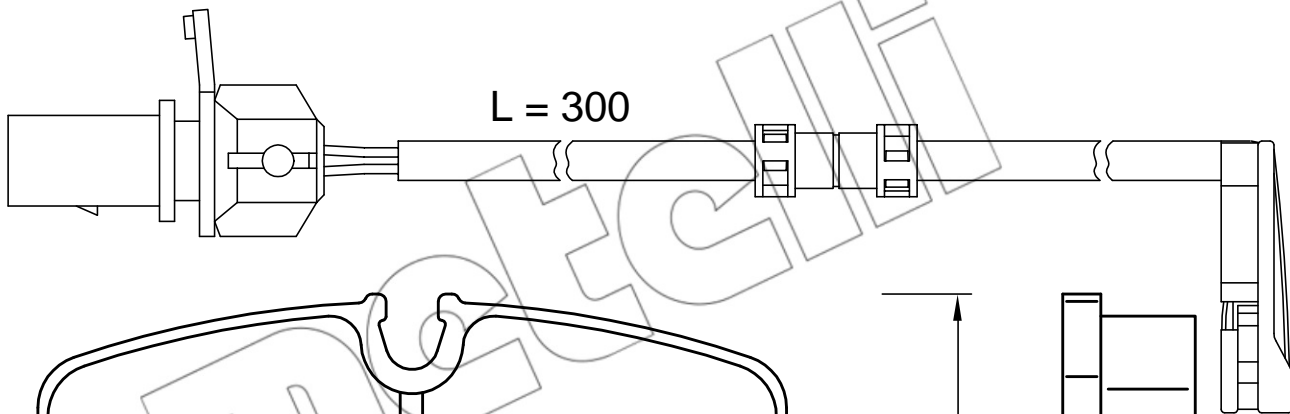
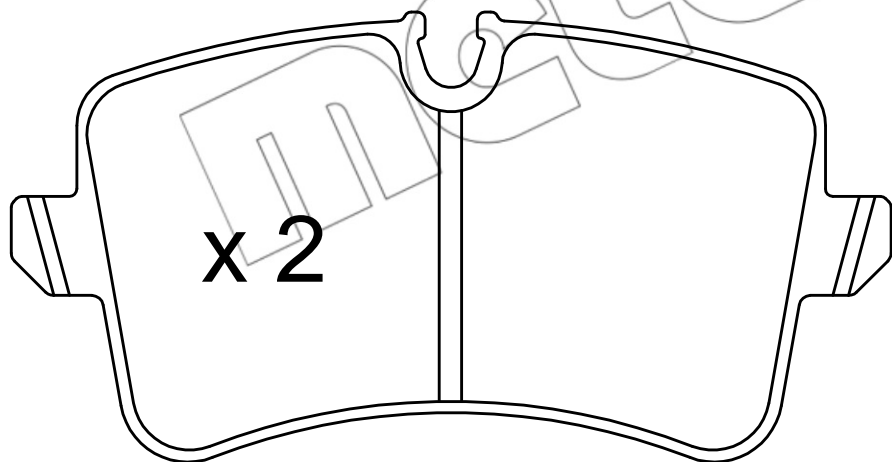


x 2



L = 300

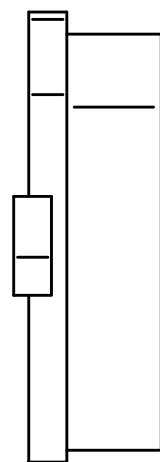
x 2



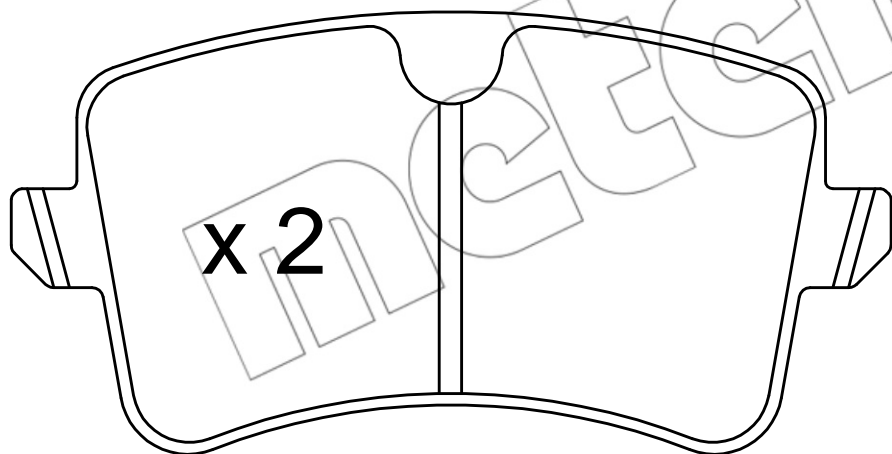
59.5

116.4

17.5



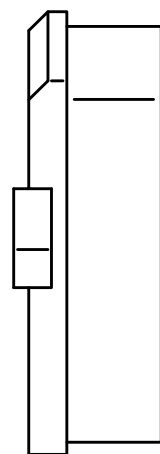
x 2



58.5

116.4

17.5



metelli