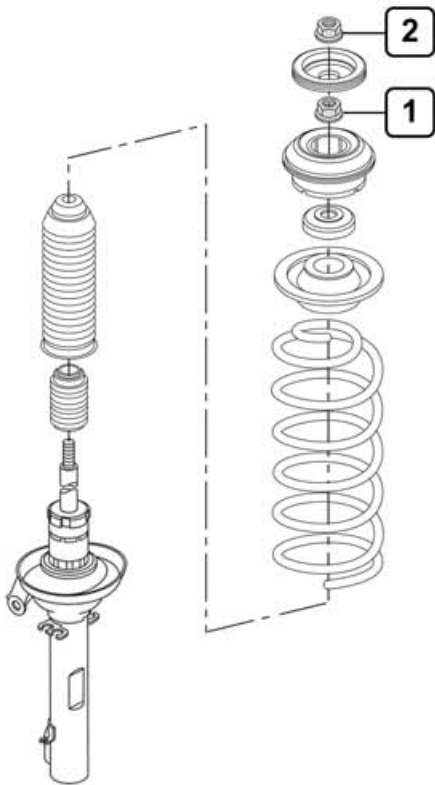


## IN-229



- 1 60 Nm
- 2 60 Nm
- 3 90 Nm
- 4 60 Nm



 O.E  
 KYB

