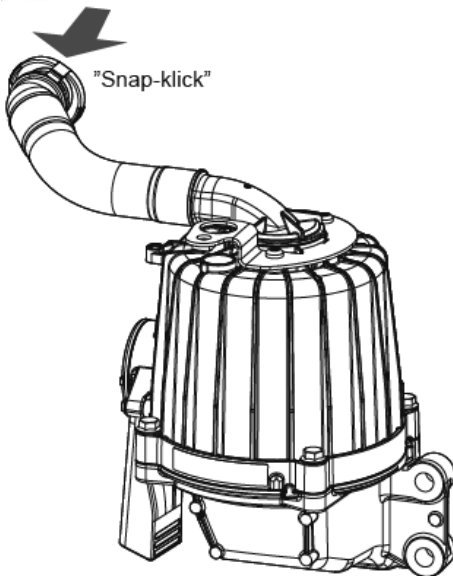


1

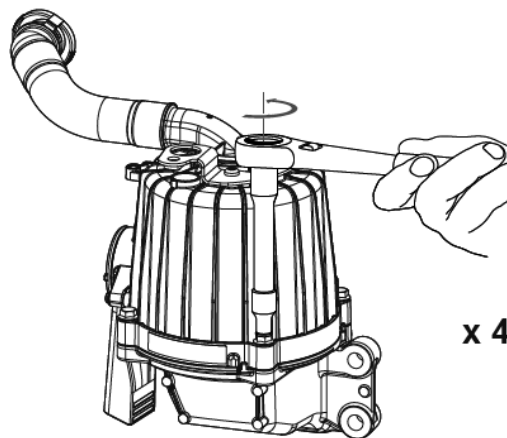
### Engine STOP



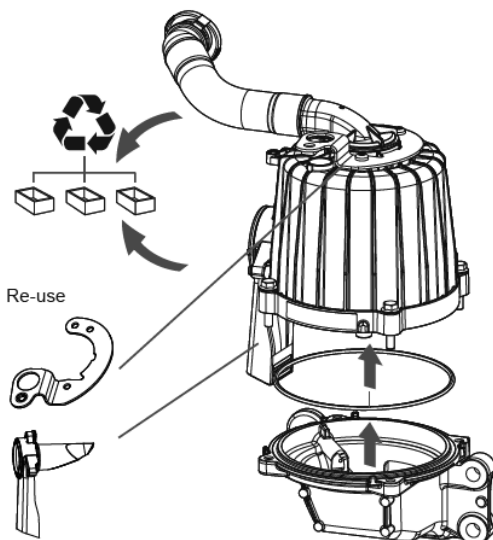
2



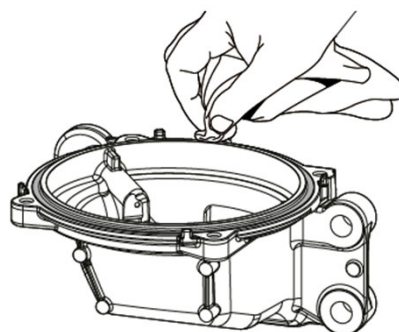
3



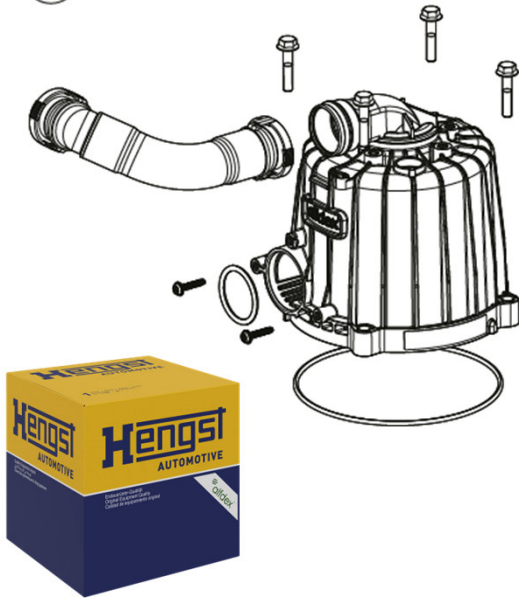
4



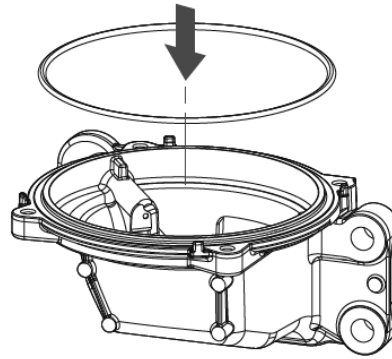
5



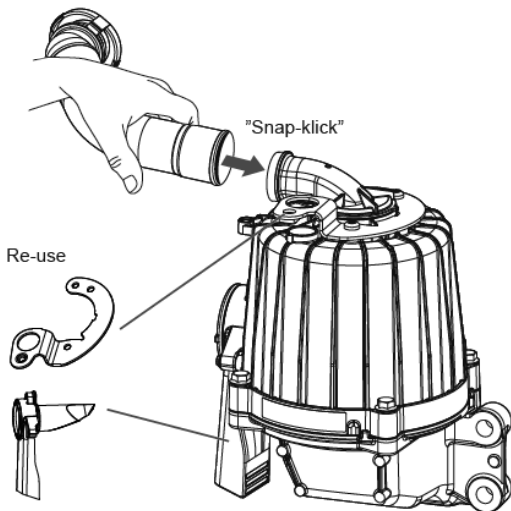
6



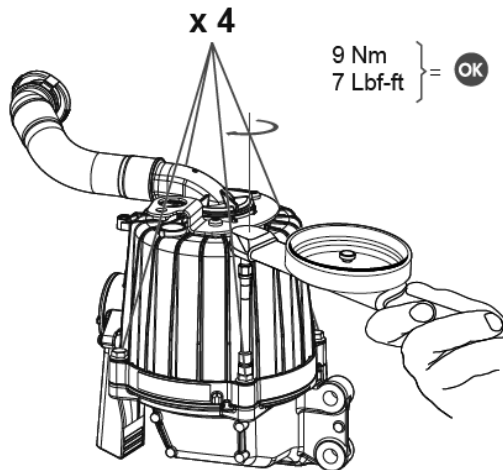
7



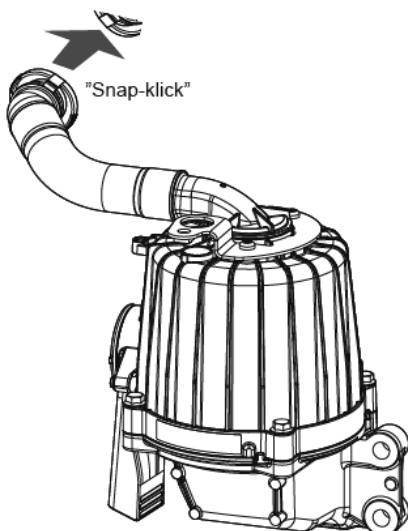
8



9



10



11

