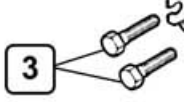
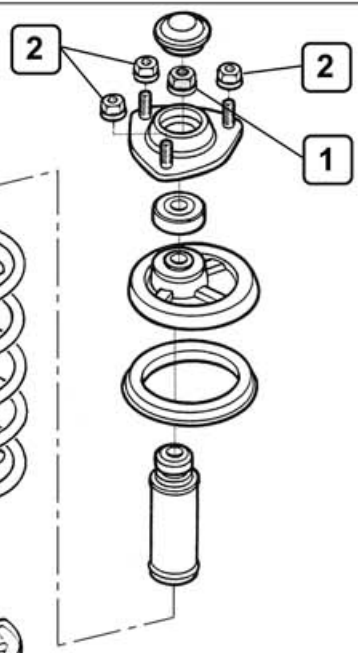


IN-119



- 1 65 Nm
- 2 40 Nm
- 3 90 Nm
- 4 45 Nm



O.E
KYB

