

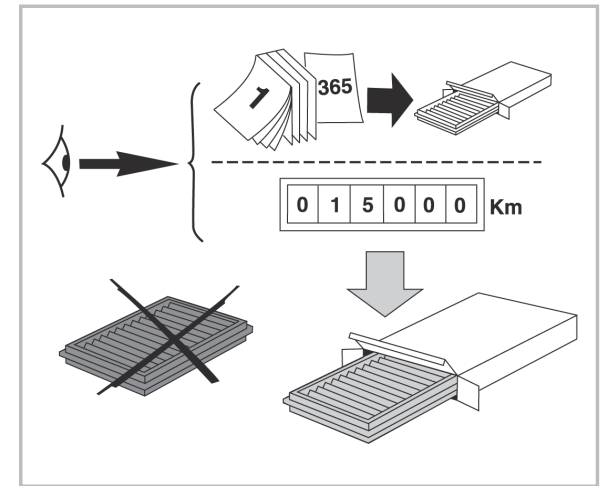
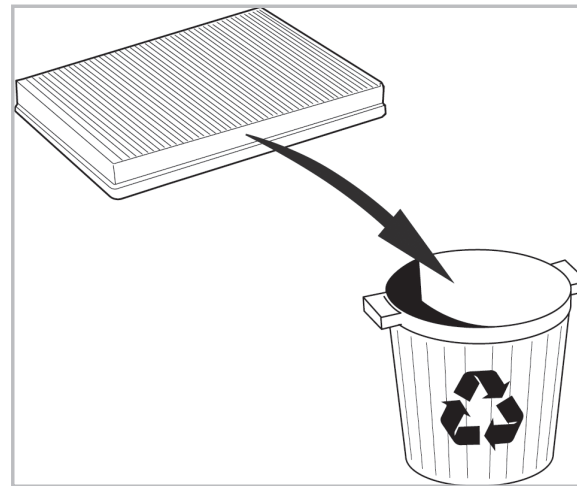
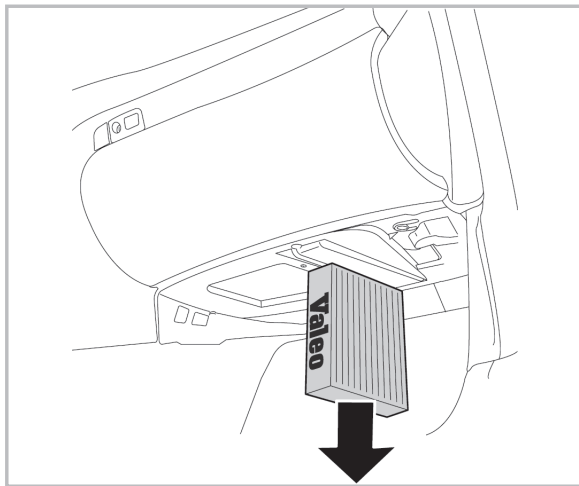
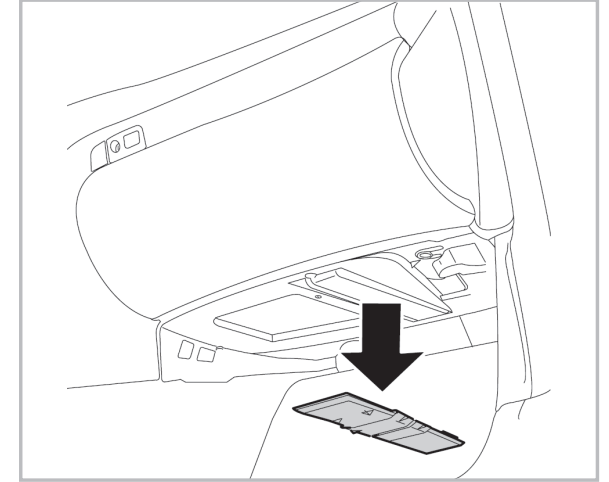
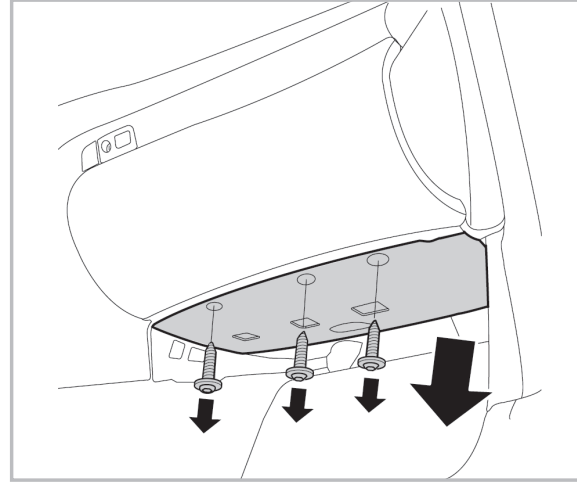
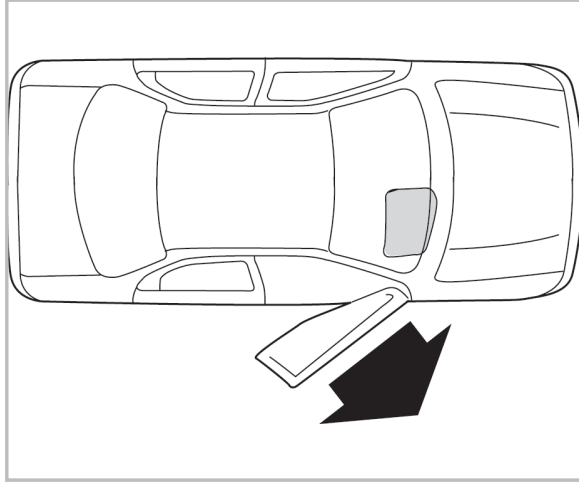


FOR  
**MERCEDES** C CLASS (204) A/C+/- (04/07 > 12/10) / SLS A/C+ (03/10 >)

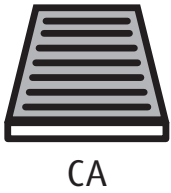


**PROTECT**

combined with  
active carbon



**715600**  
FH704



**WANT TO  
KNOW MORE?**



[www.valeo-techassist.com](http://www.valeo-techassist.com)