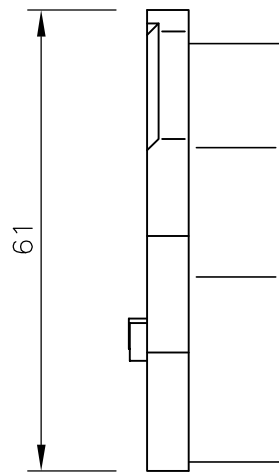
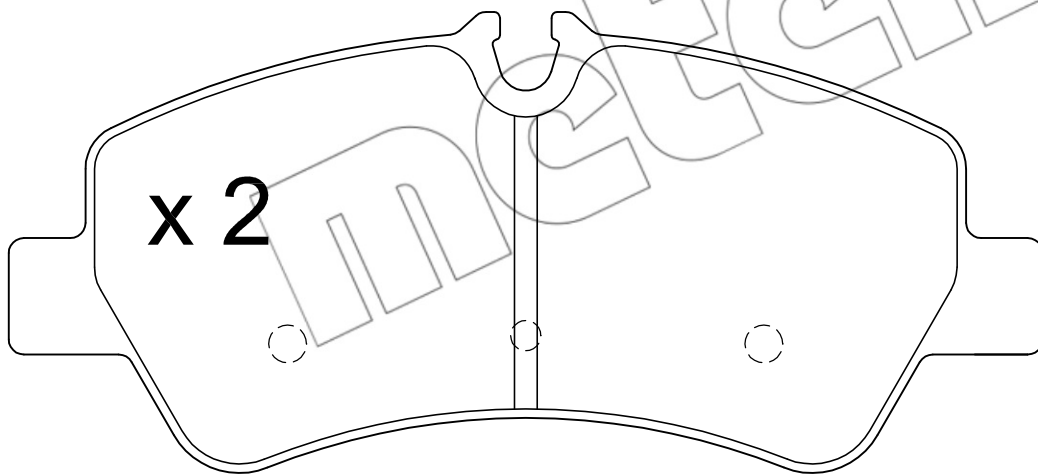


x 2



$L = 530$

x 2

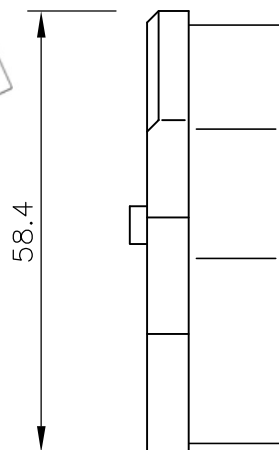
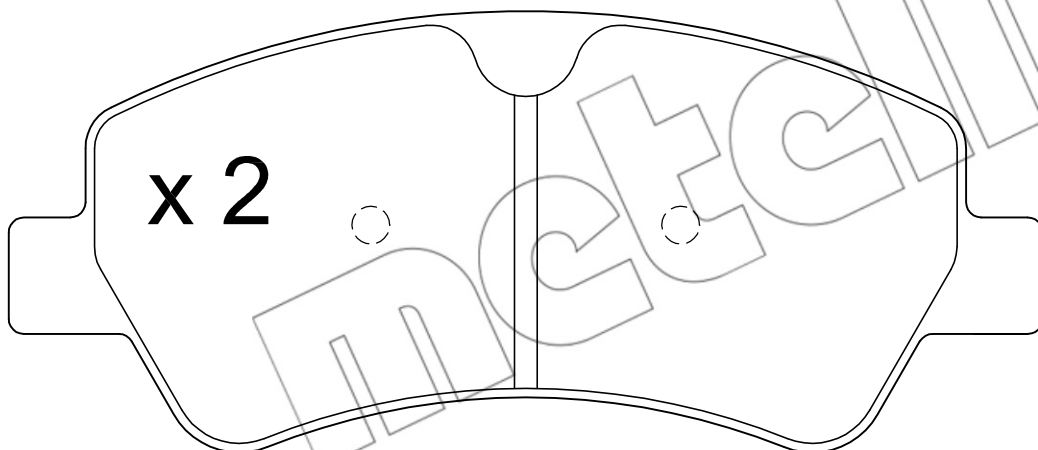


61

18

136.8

x 2



58.4

18

136.8

metelli