



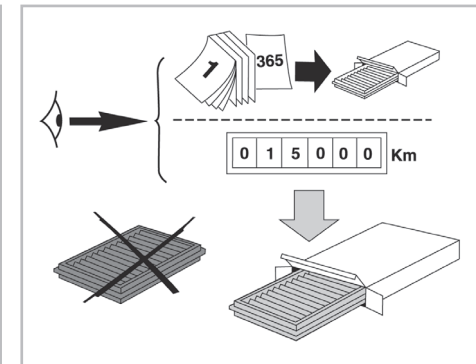
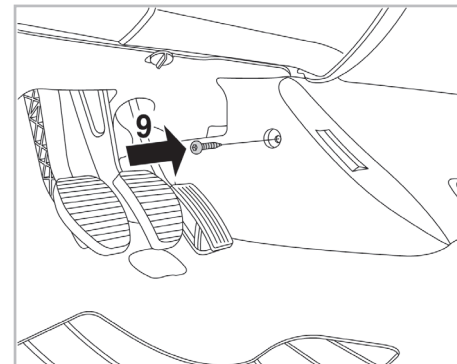
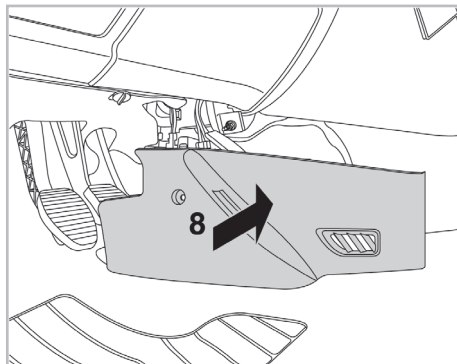
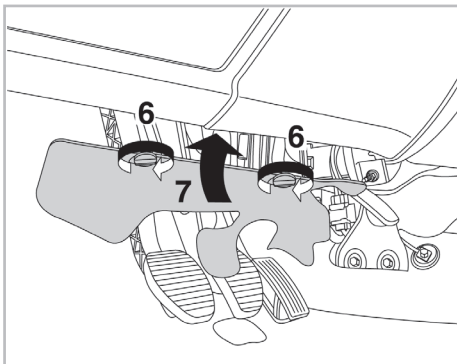
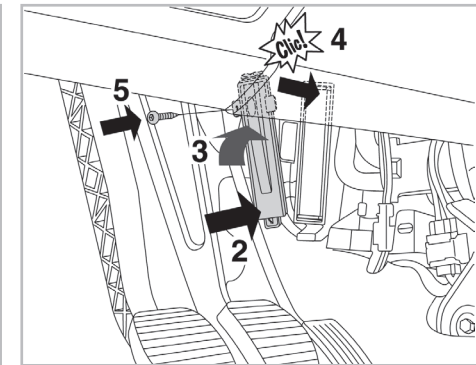
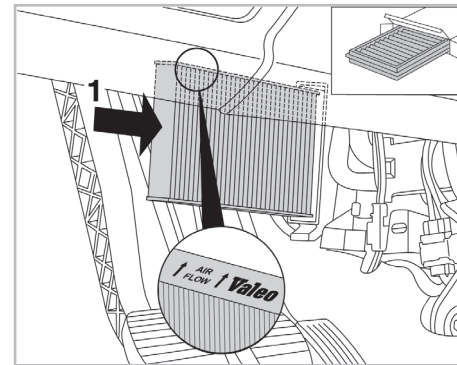
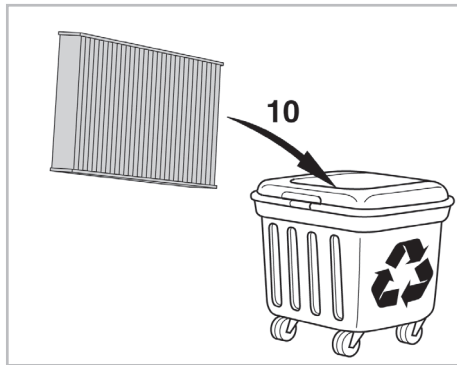
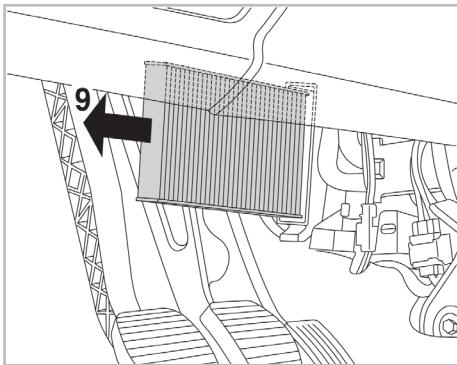
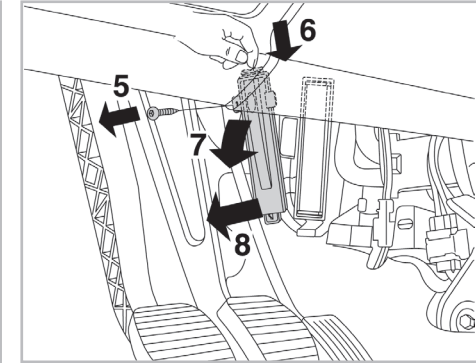
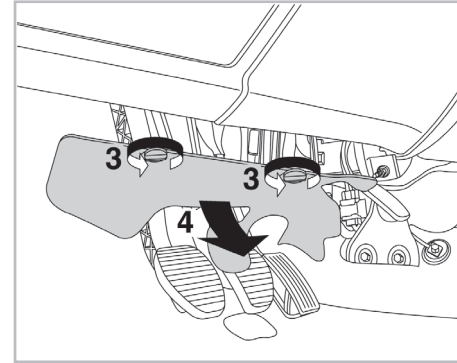
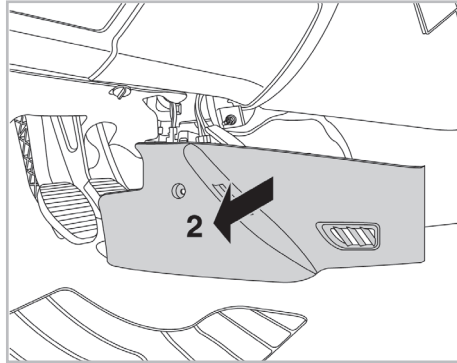
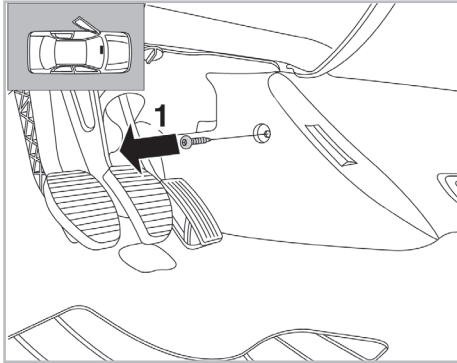
PROTECT

combined with active carbon



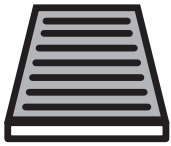
FOR
CITROËN
PEUGEOT

C5 II A/C+ (05/08 >) / C6 A+ (04/08 >)
407 A/C+/- (04/08 >)



715635

FH223



CA

WANT TO
KNOW MORE?



www.valeo-techassist.com

Valeo Service - Société par Actions Simplifiée - Capital de 12 900 000 € - 70, rue Pleyel, 93285 Saint-Denis Cedex - France - B 306 486 408 RCS Bobigny