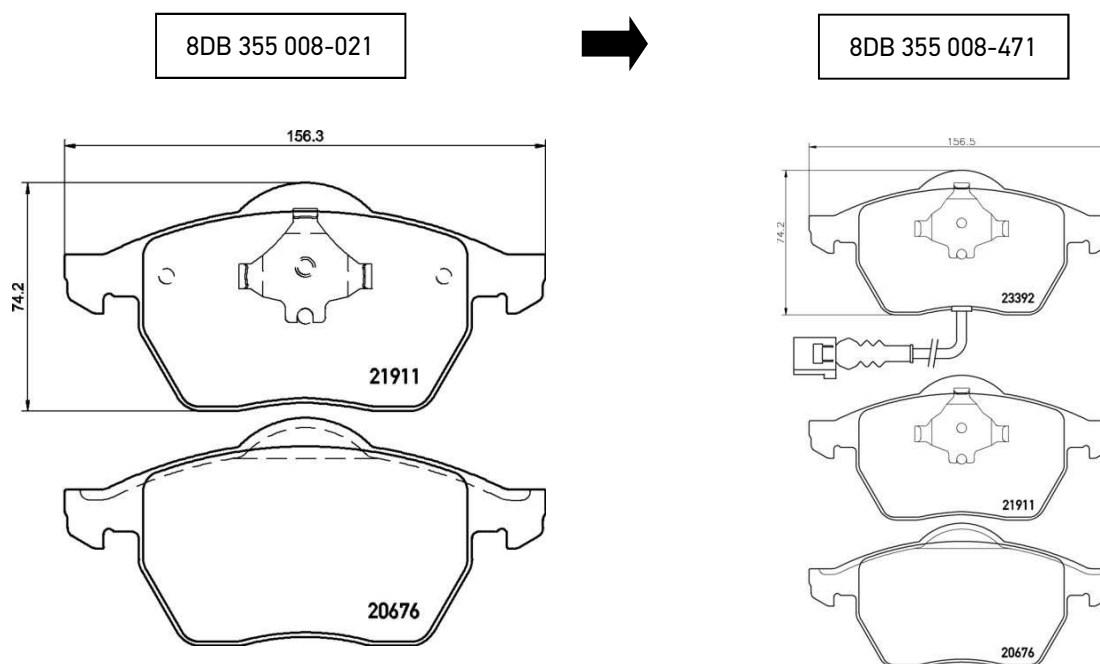


## SI2019-016

### Regarding replacement of 8DB 355 008-021 (T1110) by 8DB 355 008-471 (T1154)

In order to help our customers to decrease complexity we are optimizing our portfolio by harmonizing both references.

So far the 8DB 355 008-021 and 8DB 355 008-471 are using different compounds whereas the outer dimensions are identical. Due to intensive tests it has been proved that both brake pads can be harmonized without a lack of performance. Therefore, 8DB 355 008-471 will also cover the applications of 8DB 355 008-021 in the future.



The existing stock of 8DB 355 008-021 can be sold out without any problems.