
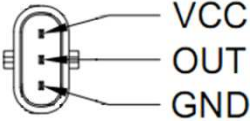
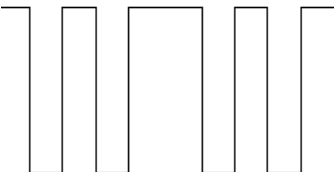
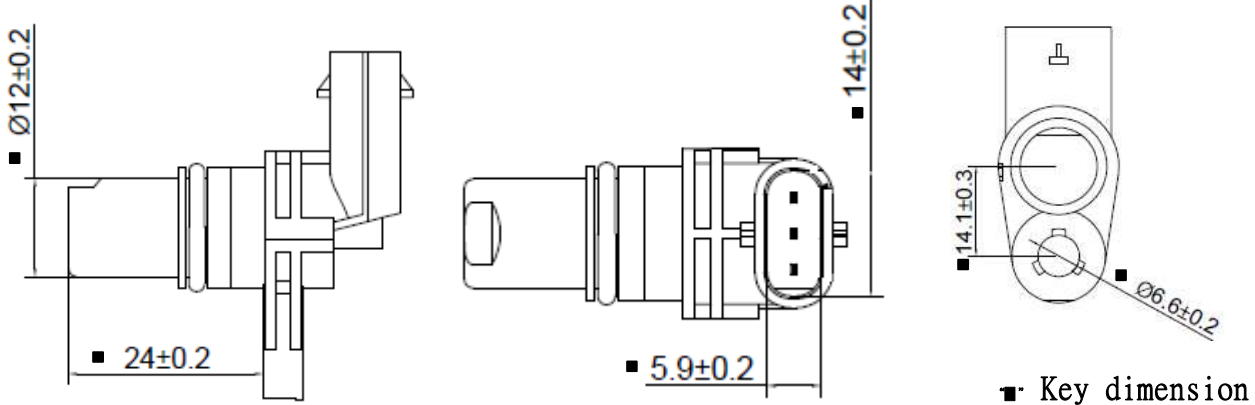



NAME	CS-E207 Camshaft Sensor	NO	CS-2-4-407
-------------	--------------------------------	-----------	------------

Picture 	Plug 	Waveform  (Open Collector for 1.2KΩ)
---	---	--

Drawing and Dimension



TYPE : Hall Magnetic

Parameter	SYMBOLS	MIN.	TYP.	MAX.	UNITS
Resistance@120Hz	R	N/A	N/A	N/A	ohm
Inductance@120Hz	L	N/A	N/A	N/A	mH
Working Voltage	V	5	12	24	V
Waveform Profile		N/A		N/A	
Frequency	Fre.	N/A	16.67	N/A	Hz
Detecting range	Air Gap	0	0.5	2.5	mm
Magnetic strength	Bo	80	100	120	mT
Magnetic field direction SFS=South facing sensor NFS=North facing sensor		N/A	N	N/A	
Duty ratio(t1/T)	Duty	83.7	88.7	93.7	%
Temperature	To	-40	25	125	℃
Reference Teeth		N/A	2	N/A	
Output Voltage	Vp-p	12	14	16	V

2017.7.20		1	呂漢榮	黃鵬	蔡昌利	MOBILETRON
Date of first edition	Date of revised edition	edition	Manuscript	Review	Approval	Jul.25.2017
						Release