



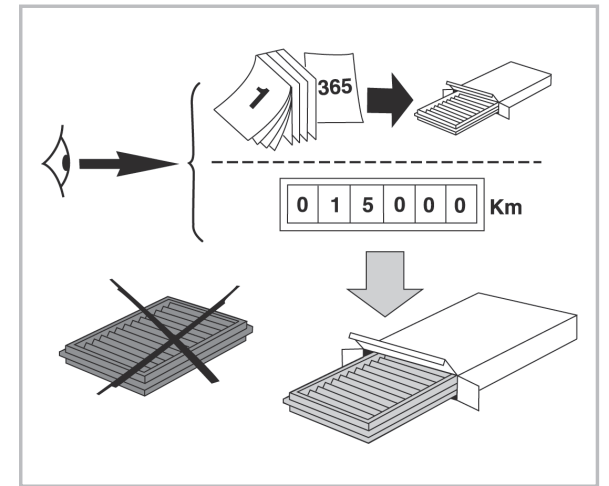
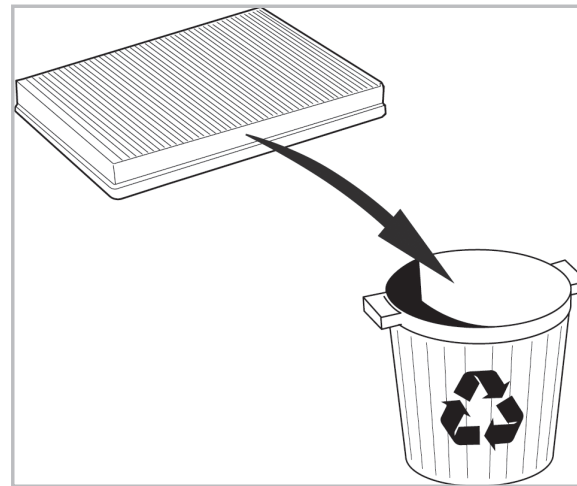
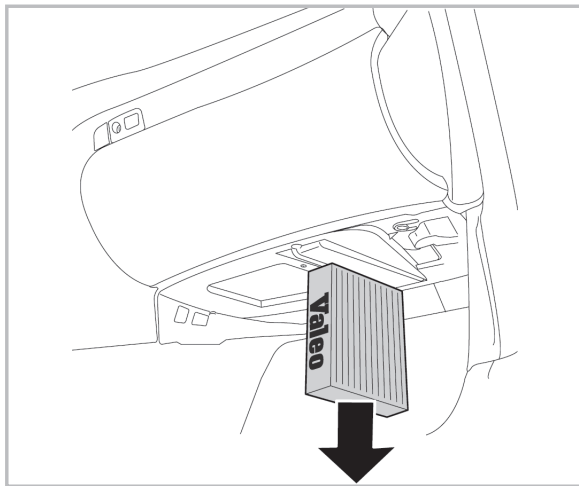
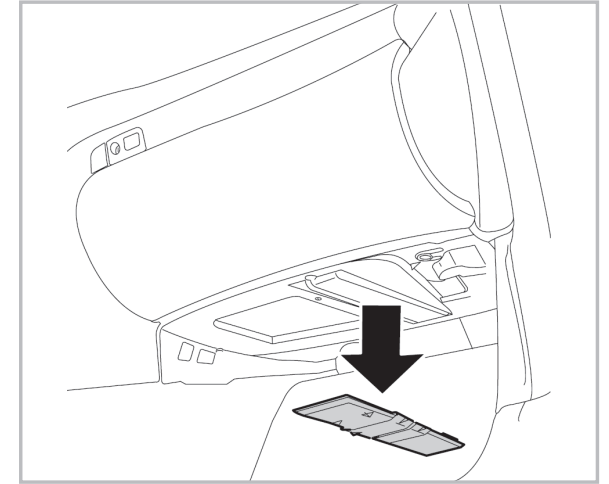
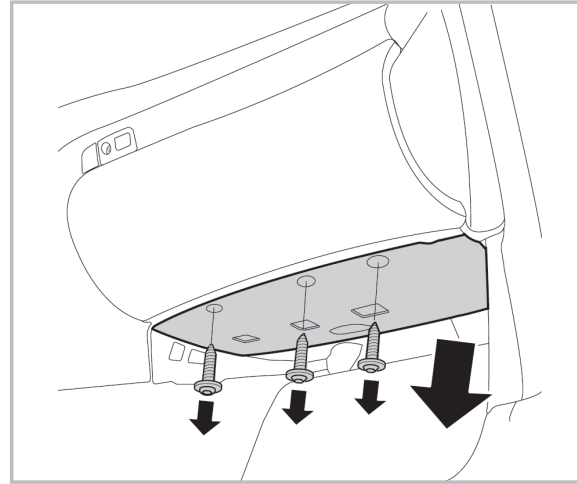
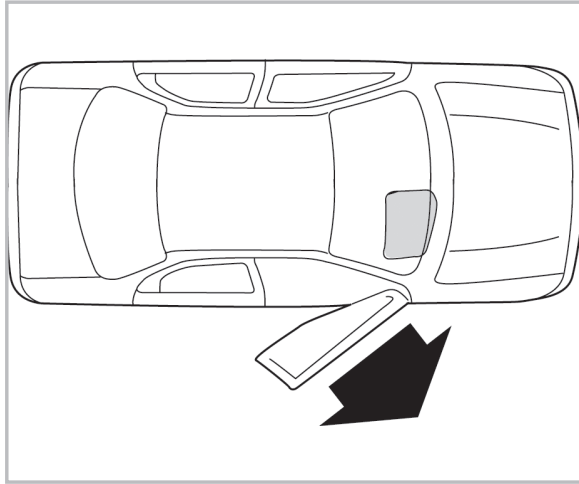
FOR
BMW

SERIES 5 (F10/F11/F18) A/C+ (10/09 >) / SERIES 6 (F12/F13) A/C+/- (03/10 >) / SERIES 7 (F01/F02) A/C+/- (10/08 >)



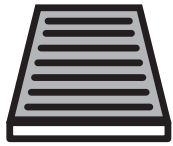
PROTECT

combined with
active carbon



715690

FH818



CA

WANT TO
KNOW MORE?



www.valeo-techassist.com