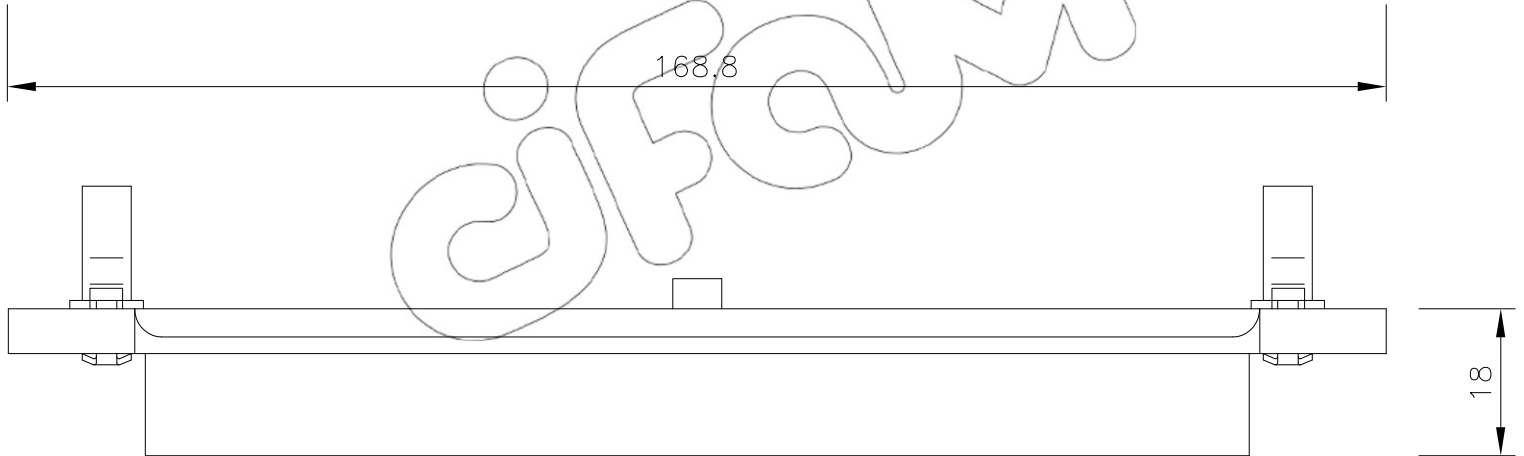
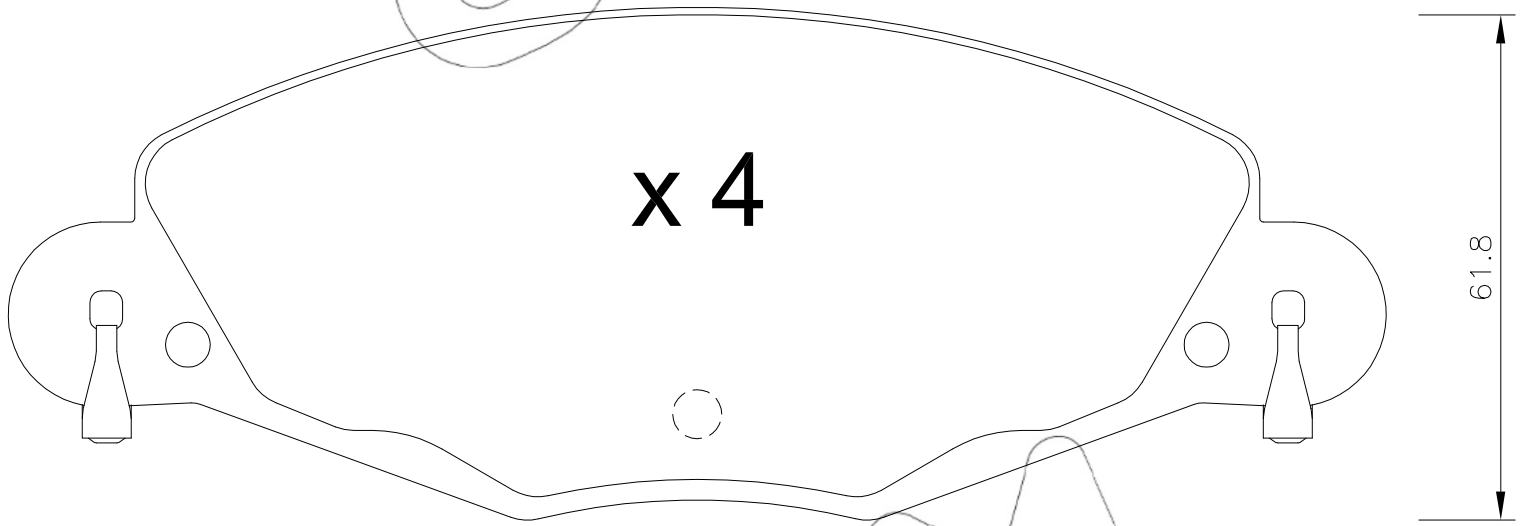


x 2 L = 180

x 2 L = 410



iFAM