



POUR/FOR

698 663

698 708



PA

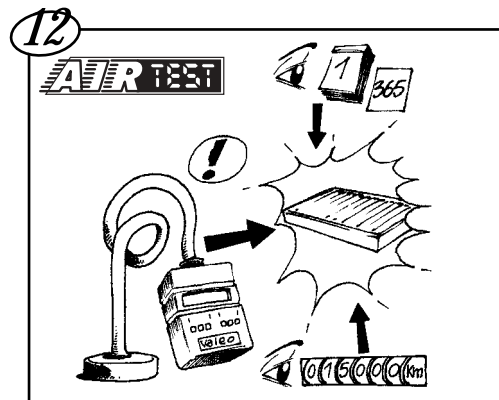
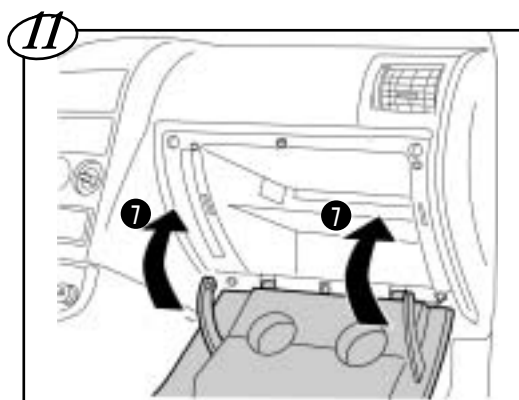
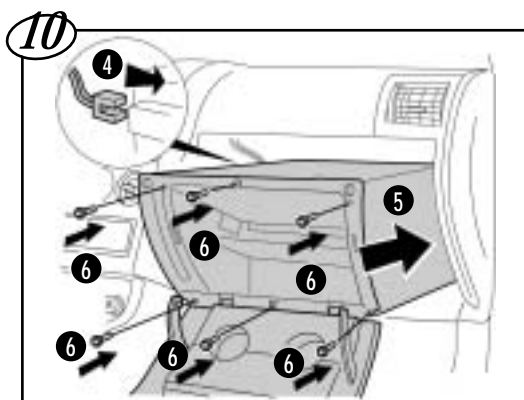
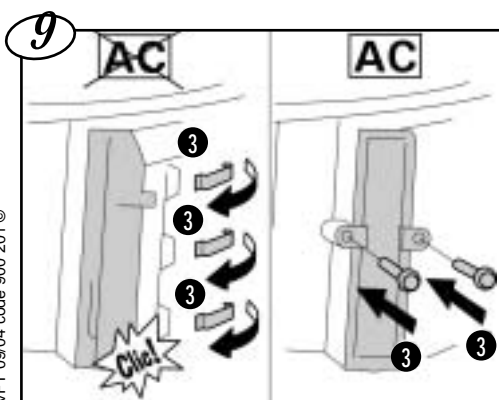
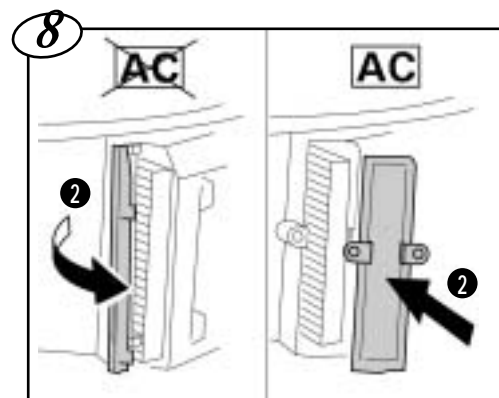
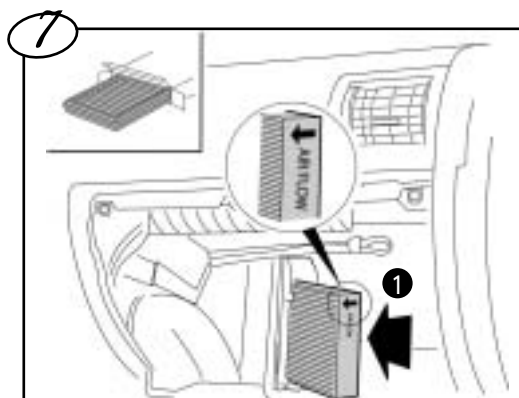
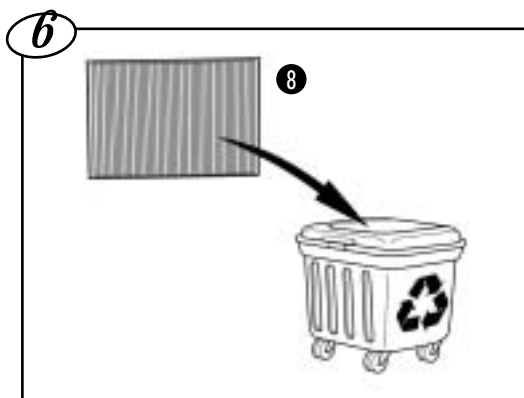
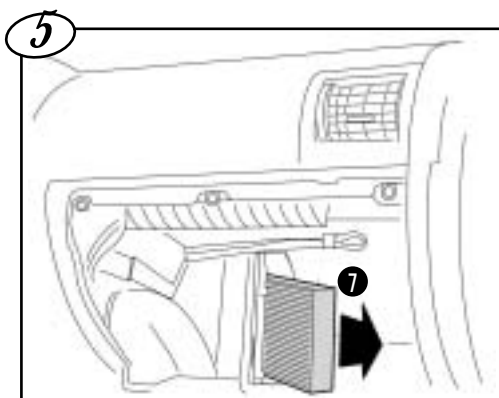
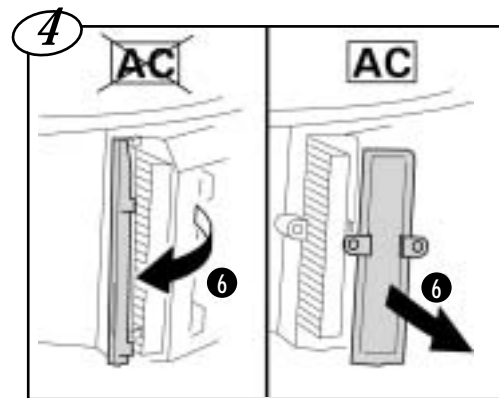
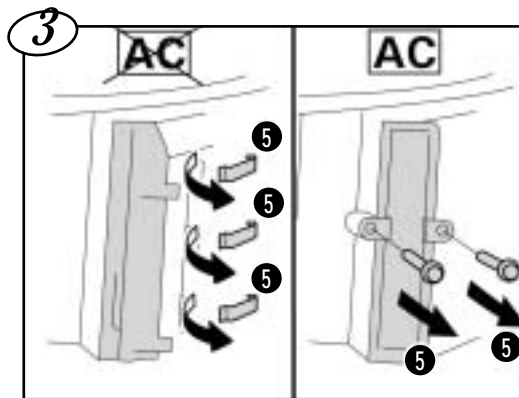
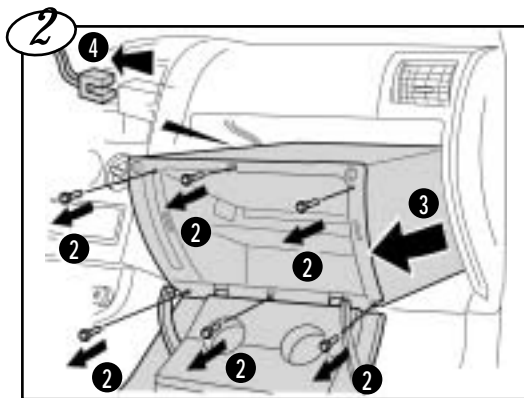
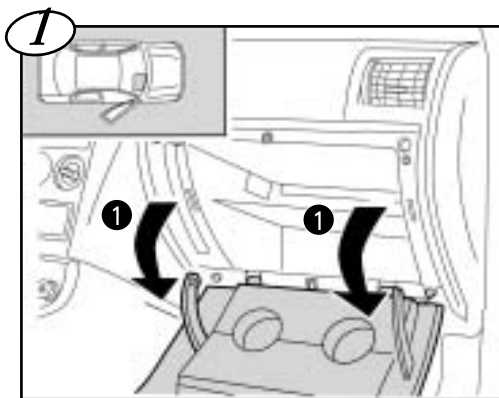
OPEL

Astra Clim Behr A/C +/- 02/98 →



CA

VAUXHALL



VFT 09/04 code 900 201 ©



PA

OPEL

Zafira A/C + 01/99 →



CA

