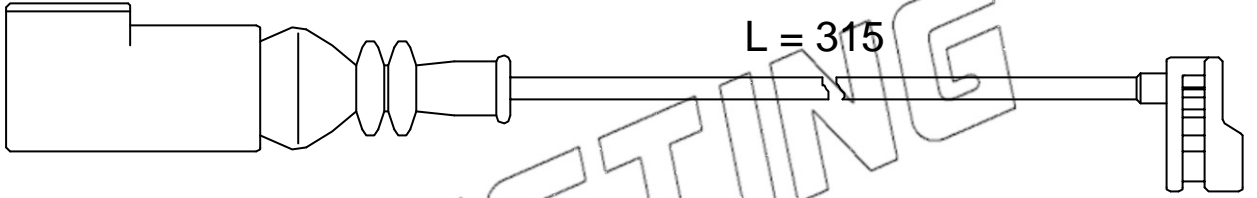
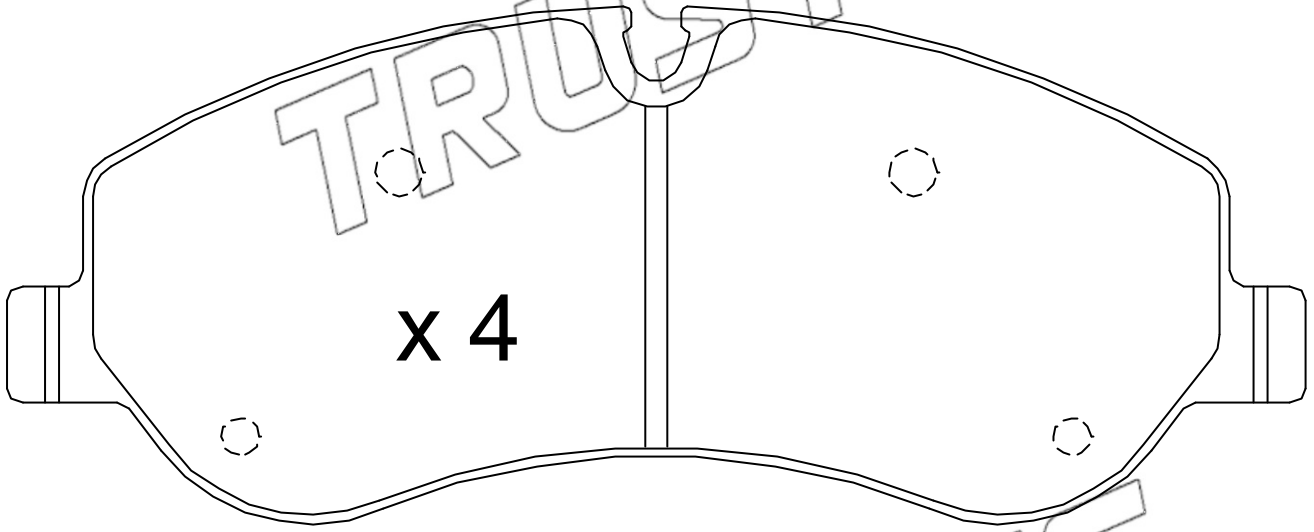


x 2

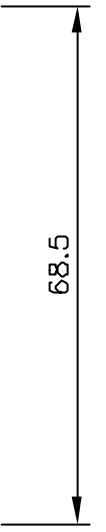
L = 315



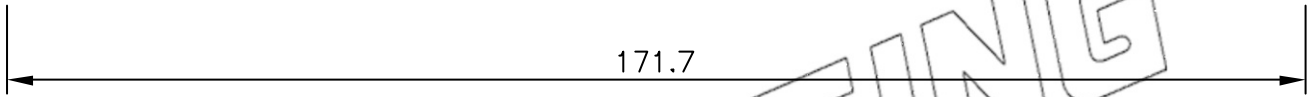
x 4



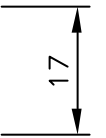
68.5



171.7



17



TRUSTING