

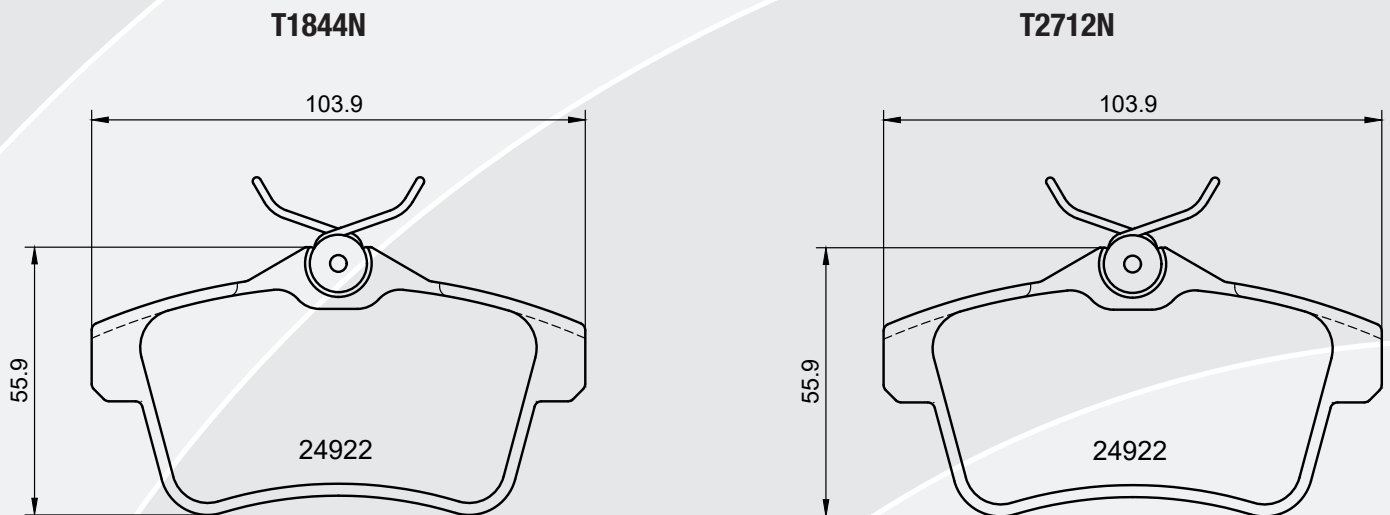
## Replacement of T1844N with T2712N

Pagid aims to streamline the designation of T1844N to T2712N.

Given the identical outer dimensions of the brake pads we can ensure seamless assembly and operation.

The difference between T2712N and T1844N is the T2712N thickness is slightly thinner.

This consolidation extends coverage to a broader range of vehicles under a singular reference, namely T2712N which is already covering applications of both part numbers.



The current inventory of T1844N can be effortlessly marketed and sold without any complications.