



## SUBJECT

Caution, when mounting a HBU 1 bearing with different seals

## PRODUCTS DESIGNATIONS

VKBA 3676

## CAR MANUFACTURERS - BRANDS



RENAULT: GRAND SCENIC II, MEGANE II Grandtour, MEGANE II Saloon, MEGANE II Coupe-Cabriolet, SCENIC II



SKF Kit

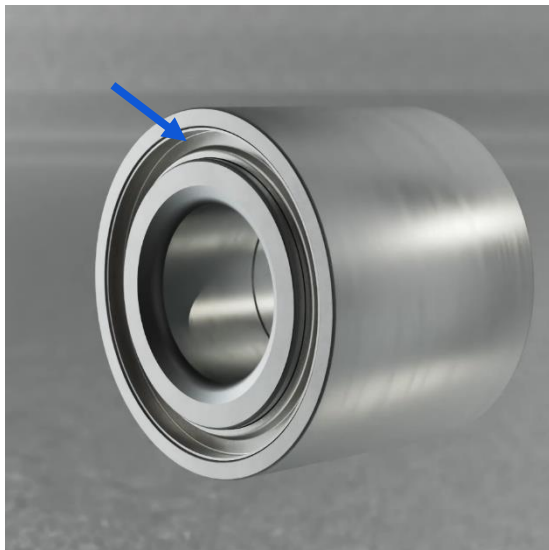
OE number (equivalency)

VKBA 3676

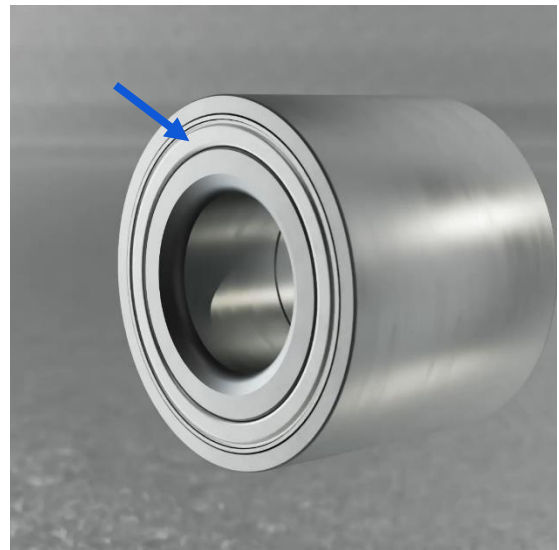
77 01 208 059

SKF has several HBU 1 bearings containing a flat metal shield with an integrated rubber seal to be mounted on the inboard side and a double bended metal shield placed on the outboard side.

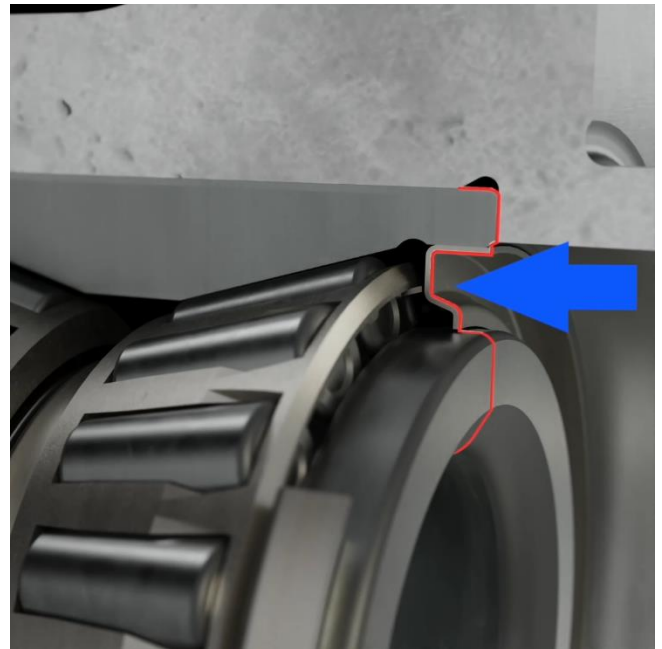
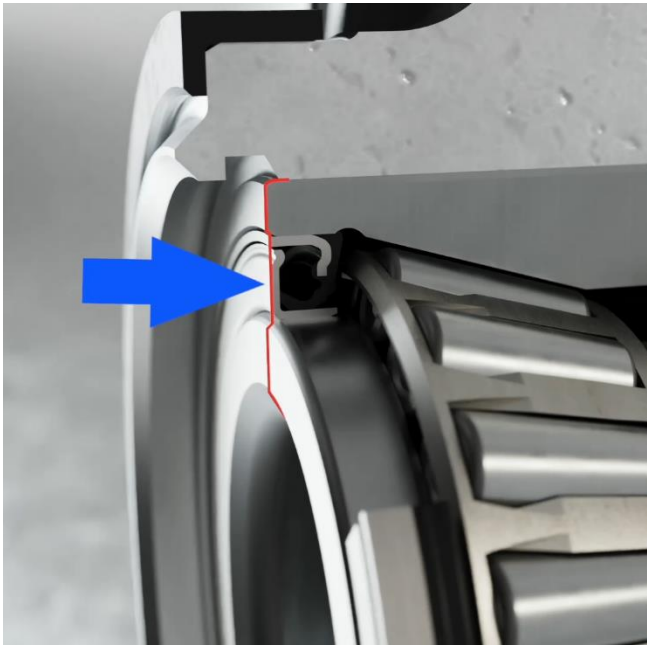
Note: If not mounted this way, you will decrease the lifetime of the bearing.



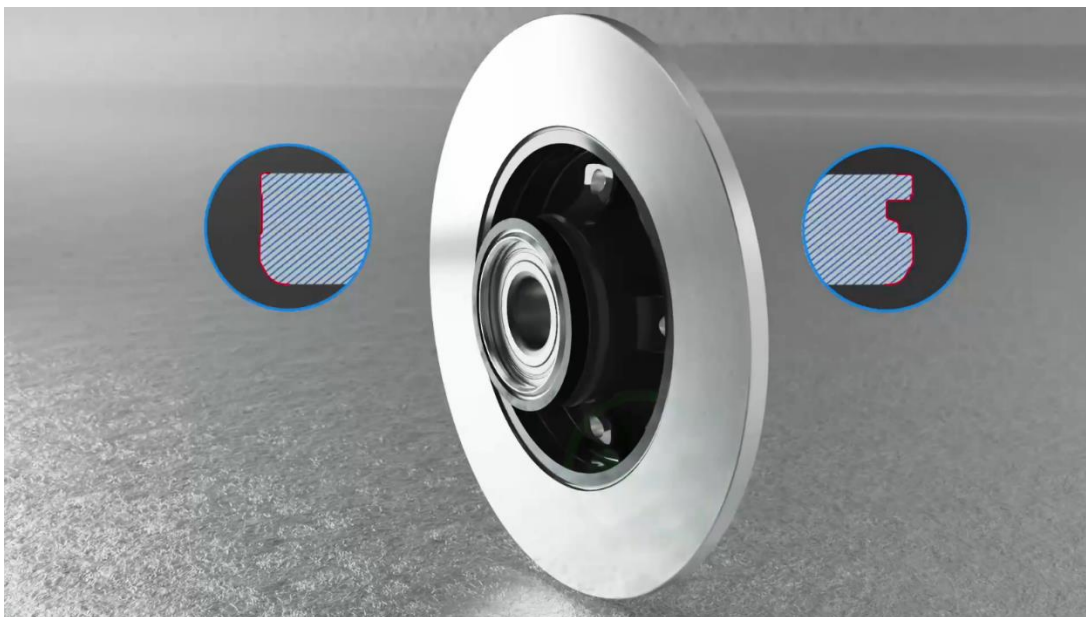
Double bended metal shield –  
outboard side



Metal shield with integrated  
rubber seal – inboard side



When installing the bearing, always ensure that the flat seal of the wheel bearing is facing inwards (towards the vehicle) and that the seal with the groove is facing outwards (towards the wheel).  
Note: Always follow the installation instructions provided by the vehicle manufacturer.

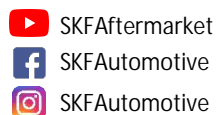


Scan for  
mounting video



Scan the QR code or visit [vehicleaftermarket.skf.com](https://vehicleaftermarket.skf.com) to know more premium SKF products

Follow us on Social Media



Contact SKF Technical Support to help resolve your automotive problems and answer your questions: [helpline@skf.com](mailto:helpline@skf.com)

**SKF®**