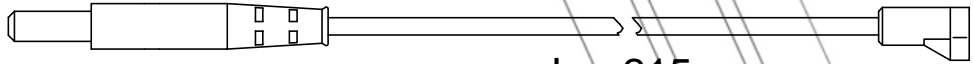
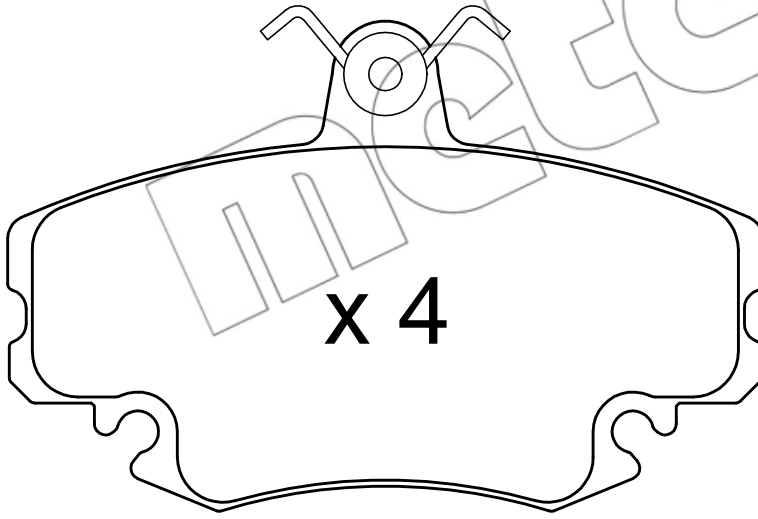


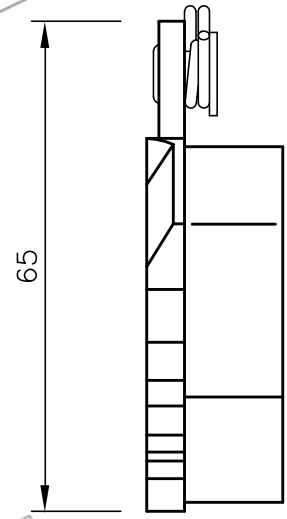
x 2



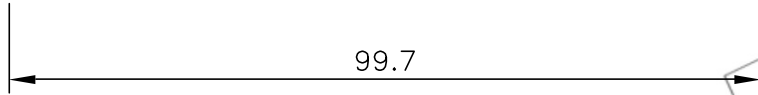
L = 215



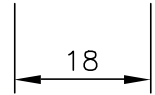
x 4



65



99.7



18

metelli

metelli