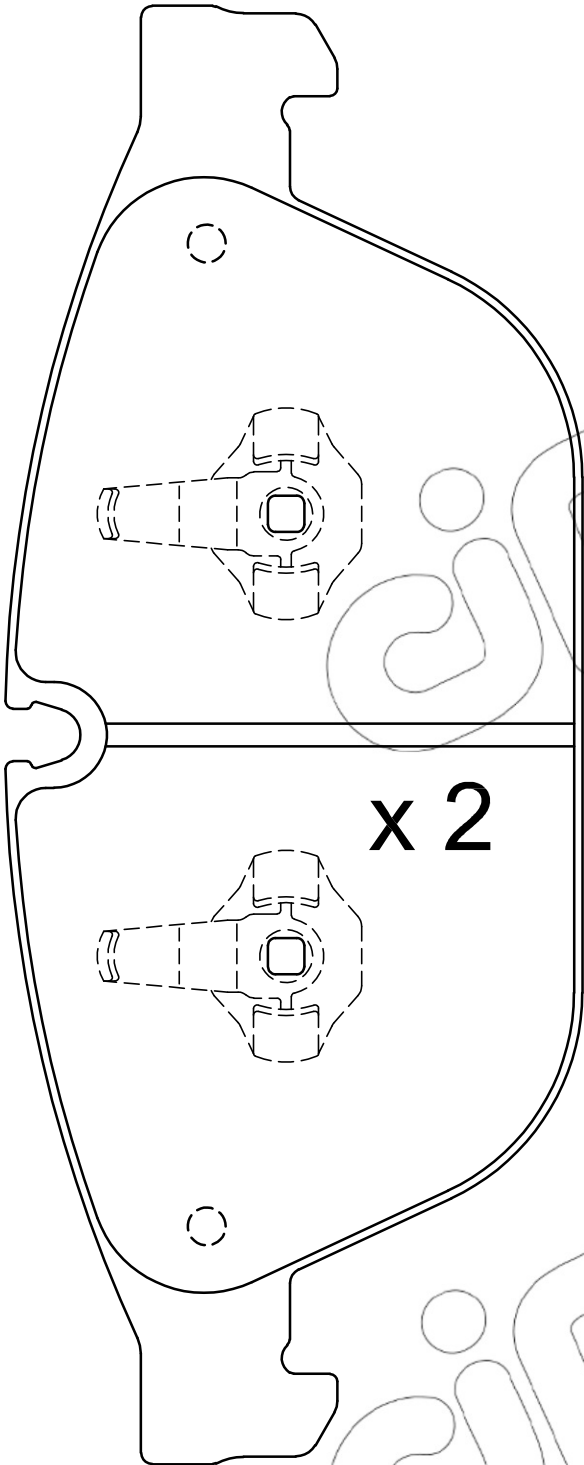
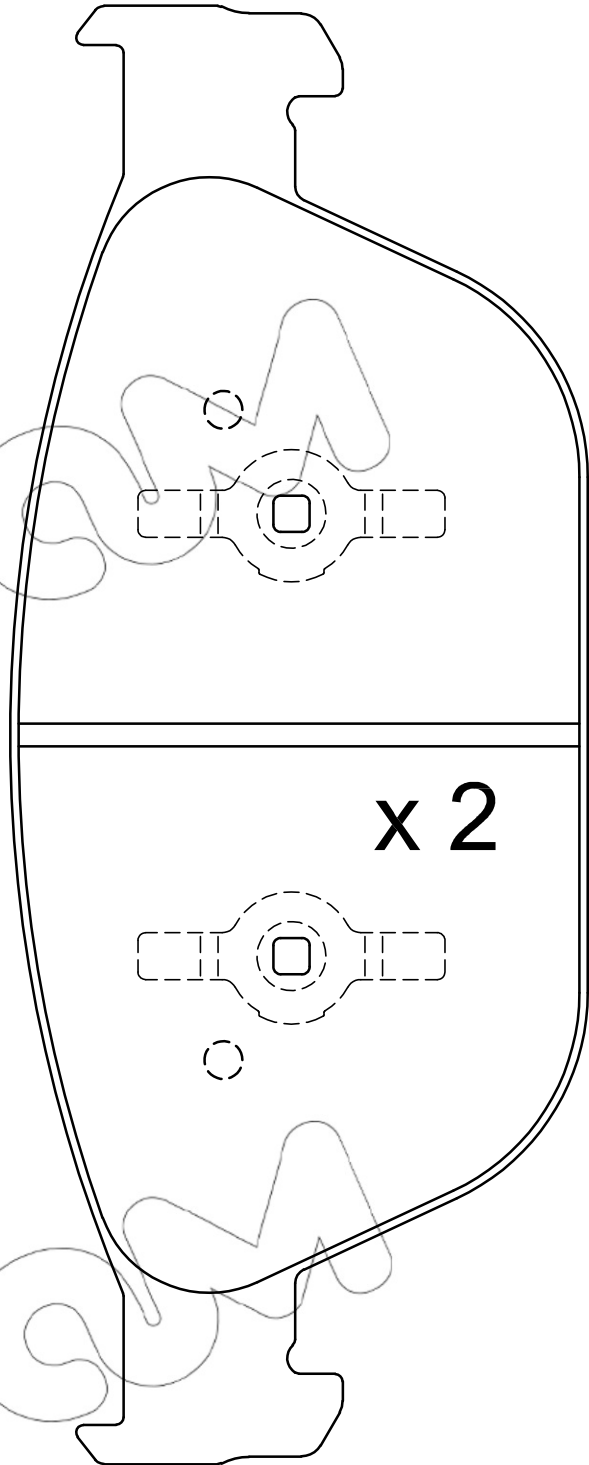


20

76.4



x 2



x 2

192.9