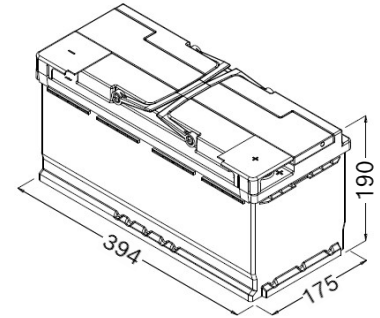


AGM Battery For passenger vehicles



Part information

Part No:	0092PA0150
Short code:	PA015
Product line:	Power AGM
Technology:	AGM - Absorbent Glass Mat*
EAN code:	4047026554045
Box color:	Silver



Technical information

Nominal Voltage:	12 V		
Nominal capacity: (EN / 20 hr discharge down to 10.5 V)	C20	105 Ah	
Cold cranking amps: (EN / -18°C U10s ≥ 7.5 V)	950 A		
Group size:	L06		
JIS type:	-		
Short-time angle of inclination:	360°		
Permanent angle of inclination:	up to 90°		
Dimension:	Length 394 mm	Width 175 mm	Ht. w terminal 190 mm
Total battery weight: (approx., filled battery)	29 kg		
Layout: (ETN, DIN 72331)	ETN 0		
Terminal: (ETN, DIN 72331)	EN taper post		
Base hold down: (ETN, DIN 72331)	B13		
Degassing:	VRLA (Valve Regulated Lead Acid)		

Technical data

Application:	Start/Stop						
Service:	Maintenance-free						
Standard charging:	<table> <tr> <td>Charging voltage:</td> <td>14,4 V</td> </tr> <tr> <td>Charging current:</td> <td>10,5 A</td> </tr> <tr> <td>Charging pattern:</td> <td>IU</td> </tr> </table>	Charging voltage:	14,4 V	Charging current:	10,5 A	Charging pattern:	IU
Charging voltage:	14,4 V						
Charging current:	10,5 A						
Charging pattern:	IU						
Standards:	DIN EN 60095-1, -2, -4 Lead-acid starter batteries; DIN EN 50342 Lead-acid starter batteries; DIN 41 773, Charger with IU characteristics						

*AGM (Absorbent Glass Mat): acid absorbed by micro-fiberglass mats allow higher amounts of energy to be provided