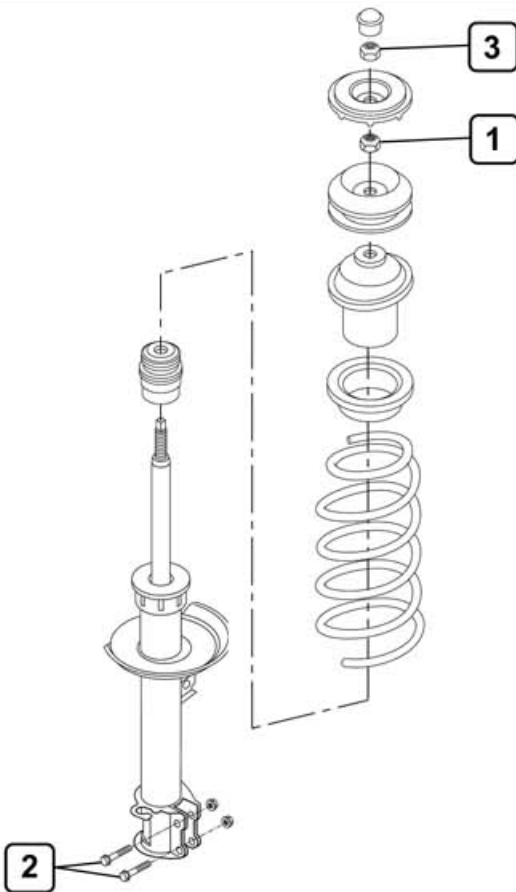


## IN-231



- 1 50 Nm
- 2 80 Nm + 60° + 15°
- 3 55 Nm



O.E  
KYB

