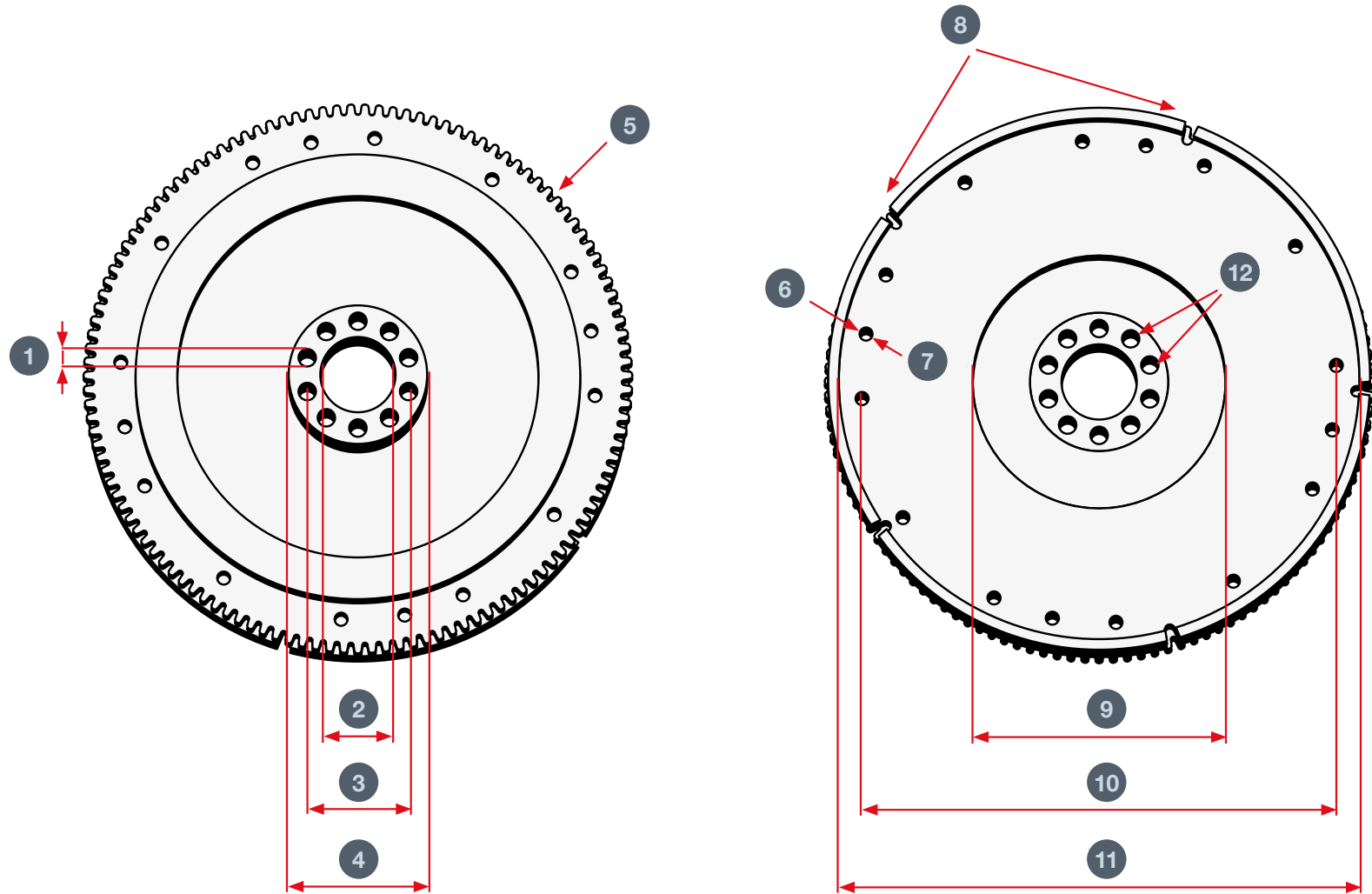


# INFO



- 1 Hub Mounting Hole Diameter
- 2 Hub Inner Diameter
- 3 Pitch Circle Diameter - Hub
- 4 Hub Outer Diameter

- 5 Number of teeth
- 6 Number of mounting holes for the clutch pressure plate
- 7 Internal thread diameter for clutch pressure plate mounting hole
- 8 No. Of Mounting Holes

- 9 Recess Diameter
- 10 Pitch Circle Diameter - Clutch pressure Plate
- 11 Clutch Pressure Plate Outer Diameter
- 12 Number of mounting Holes - Hub