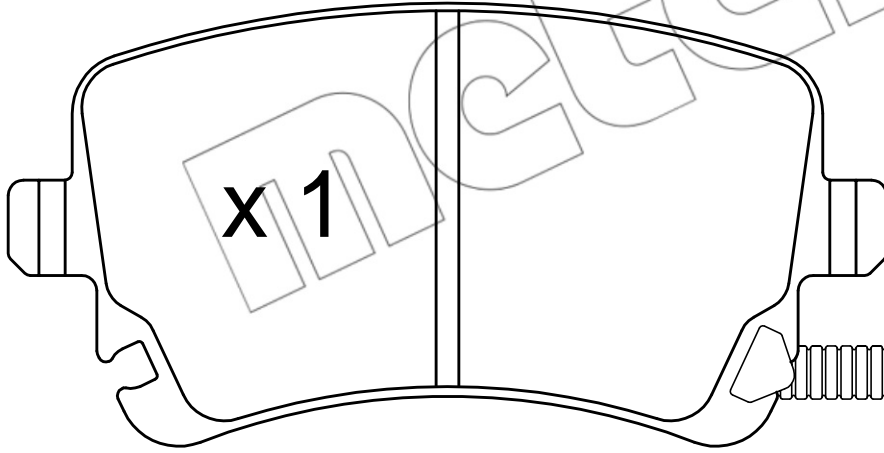
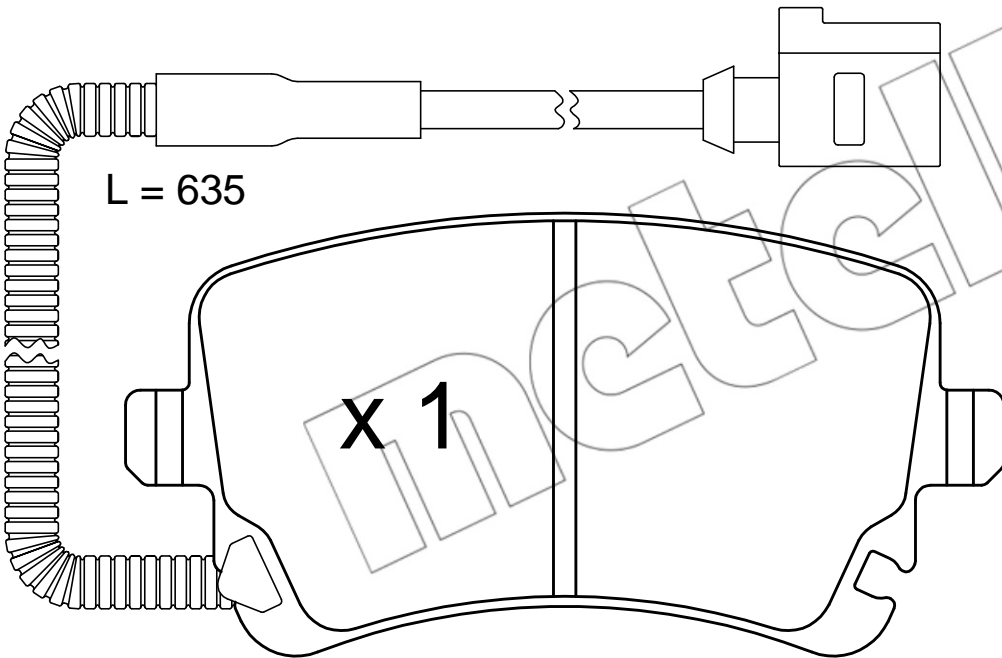
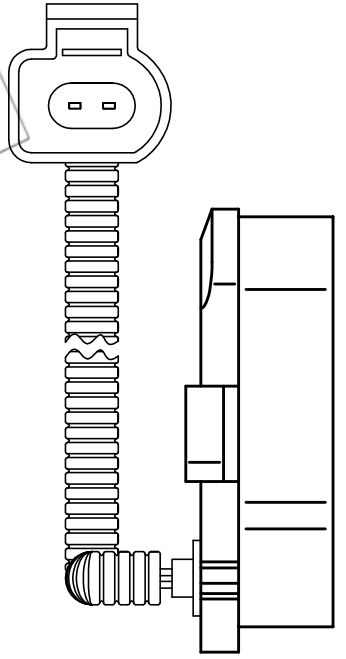


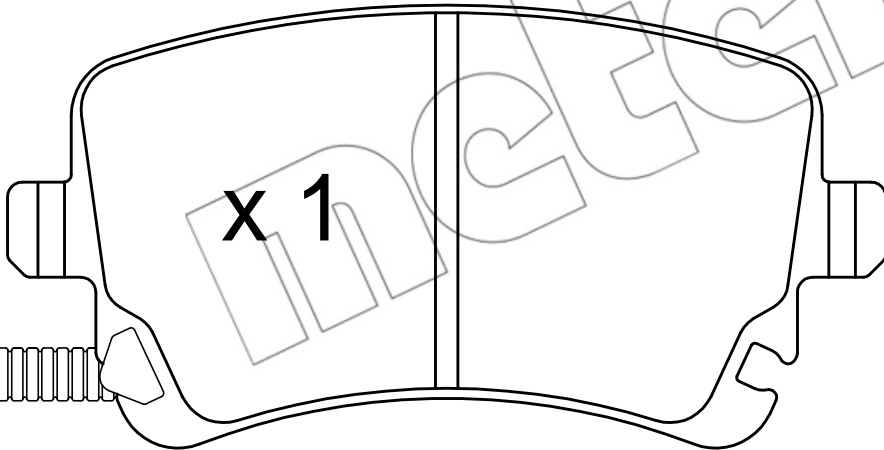
L = 635



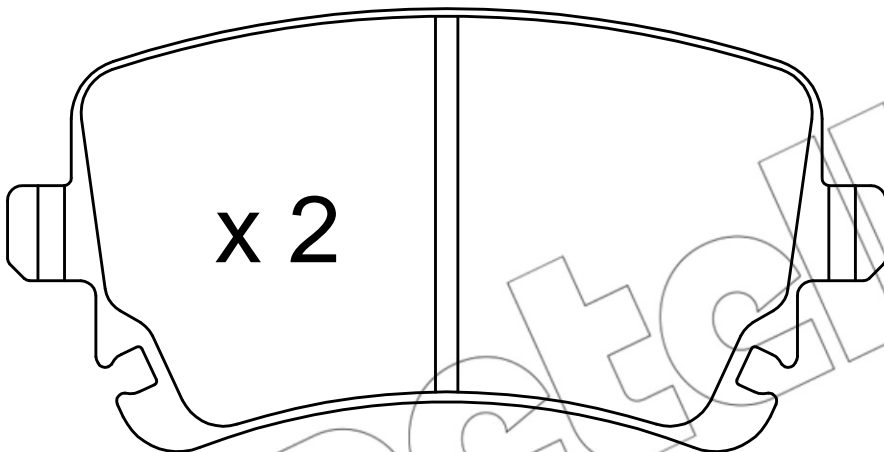
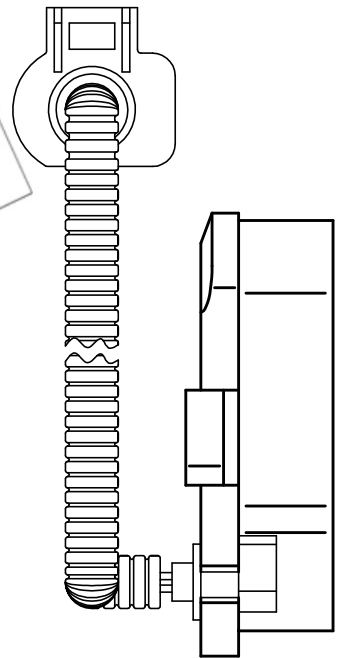
x 1



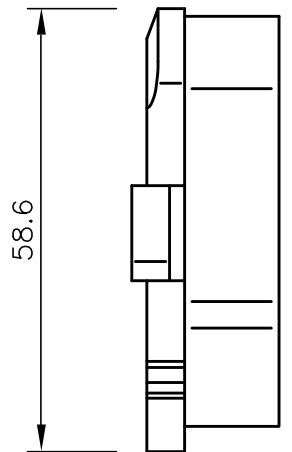
L = 635



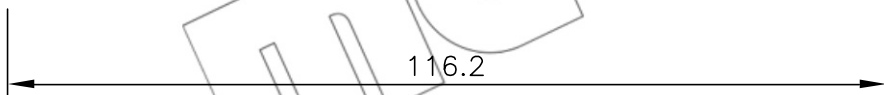
x 1



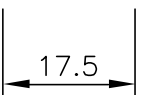
x 2



58.6



116.2



17.5