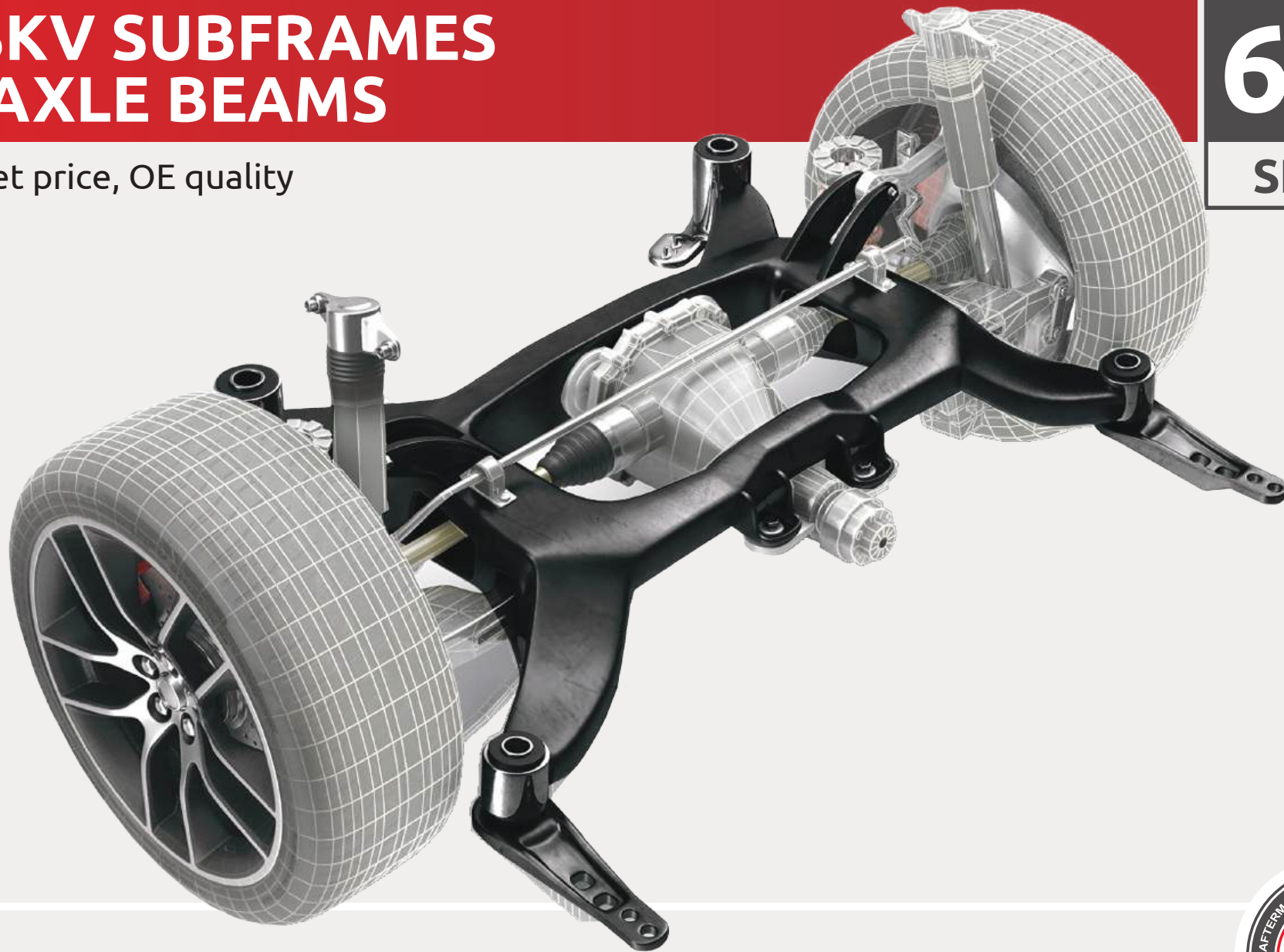


THE SKV SUBFRAMES AND AXLE BEAMS

Aftermarket price, OE quality



PRODUCT
GROUP

64

SKV



Find at → www.skv.pl → Car selection → All parts → Body → [Support Frame/Subframe](#)

ESEN company, the owner of the SKV brand.



The SKV SUBFRAMES AND AXLE BEAMS

Product's features

Suspension axle beams and support cross-members.

“Beams, sleds, benches, or cradles” are the most popular terms for **car suspension carriages**, by which we can search for these components in parts catalogs. Although manufacturers often use all the above words to “facilitate” the search for a specific part, we can divide them into **suspension beams, sleds, carriages, and cradles** to more precisely find the necessary individual components.

Suspension support cross-member (“sleds”)

is a transverse “**frame**” **mounted at the front** of the vehicle between the vehicle’s side members. Outfitted with fitting handles and mounting holes, it is utilized to attach the engine and suspension elements to the car’s chassis.

The SKV subframe cross-member has an **additional function** that is crucial in the event of a car collision. Namely, it constitutes a vital part of the **controlled crumple zone**. During a traffic accident, it absorbs a part of the impact force, becoming a key element of protection for the driver and passengers, **vastly reducing the risk** of serious injuries.



64SKV029
HYUNDAI • KIA

Suspension axle beam

in most cases, it is fitted at the rear of the car. The **SKV axle beams** are one of the most crucial elements of a vehicle’s suspension, to which, among others, wishbones and other elements of the vehicle’s suspension and running gear are mounted.



64SKV064
TOYOTA

A crucial element of the suspension system!

The car suspension is a general name describing a series of components that connect the wheels to the rest of the vehicle and constitute an **integral part of the vehicle’s running gear**. Flawlessly operating suspension should be a priority for every driver since it ensures both the stability of the car and the safety of passengers while traveling. Both suspension support cross-members and axle beams are crucial components that **connect the wheels to the car’s supporting structure** through the suspension system.

The features of our subframe cross-members & axle beams



Completeness
Bushings included



Anti-corrosion coating
anti-corrosion protection



Durable design
high-quality steel



Perfect fit
for respective car models



A 3-YEAR warranty



TecDoc ID
4969

reference numbers starting from 64SKV001



Find at → www.skv.pl → Car selection → All parts → Body → [Support Frame/Subframe](#)

ESEN company, the owner of the SKV brand.



The SKV SUBFRAMES AND AXLE BEAMS

Detailed product description

In summary, the support cross-members and axle beams are essential components influencing stability, driving comfort, and overall vehicle safety while maintaining proper wheel alignment and vibration absorption.

The structure of the SKV cross-members is **made of durable & high-grade steel**, covered with a thick paint layer providing protection against corrosion. The craftsmanship and precision of the SKV suspension beams guarantee hassle-free installation. At the same time, the quality of the products is **backed by a 3-year warranty**. The SKV engine cradles are **equipped with mounting bushes**.



Product's features.

- ✓ Made of the high-quality steel
- ✓ Complex anti-corrosion protection
- ✓ Factory new products
- ✓ Complete with bushings (according to specification)
- ✓ Several dozen dedicated models for both passenger and delivery vehicles
- ✓ Hassle-free fitting
- ✓ Covered by a 3-year warranty
- ✓ A wide range of the most popular models, backed by exceptional availability

64 SKV 001

↓ Category number ↓ Manufacturer code ↓ Product number

The SKV subframes and axle beams numbers start from 001, within the 64 group

group
64
SKV

Find at → www.skv.pl → Car selection → All parts → Body → [Support Frame/Subframe](#)

ESEN company, the owner of the SKV brand.



The SKV SUBFRAMES AND AXLE BEAMS

Structure



Structure of a
REAR AXLE BEAM



Complete with bushings

The SKV support cross-members and axle beams are outfitted with all the necessary durable silent blocks, playing a pivotal role in the flawless functioning of the system. Their main task is dampening vibrations generated while driving, meaning such vibrations do not transfer to the car's interior.



Professional paint coating

A thick paint coat layer, along with proper anti-corrosive primer, provides long-term protection against rust.



Product marking

Each SKV brand product bears a logo, symbol, and product series number marking.



Superb wishbone mounting

The appropriate diameter of the mounting holes, reinforcements, and specialized profiling in the product handles allow for a stable fitting of the pin on which the swing arm is mounted.



Solid mounting brackets

The perfect fit of the mounting holes in the subframe to the car chassis guarantees hassle-free fitting and stability of the connections.



Only certified steel is used.

Specially selected steel constitutes a solid basis for the construction of subframes and beams. Durable steel is a key to user safety.



reference numbers starting from 64SKV001

Find at → www.skv.pl → Car selection → All parts → Body → [Support Frame/Subframe](#)

ESEN company, the owner of the SKV brand.



The SKV SUBFRAMES AND AXLE BEAMS

Damage and malfunctions

The damage to this element might occur in two different ways, but neither should be ignored.

The first type is **mechanical damage**, which may occur as a result of bending the suspension beam due to a collision, hitting an obstacle, or a traffic accident. Even a seemingly insignificant impact force can deform or shift the subframe, which might **change the geometry of the car**. It is also worth noting that as a result of such a collision, *wishbones and other adjacent elements, such as **the oil pans or tie rods, may become damaged. Even seemingly minor damage cannot be disregarded! Improper wheel alignment may lead to faster tire wear and dangerous vehicle behavior on the road, posing a **perilous threat to the safety** of vehicle users.

The second type of damage to a carriage in a passenger car is **the influence of external factors**, such as weather conditions, leading to corrosion. Frequently, once the paint coating integrity is compromised, the first spots of rust appear on chassis components. If not properly treated, they may weaken the structure of the subframe. Over time, due to **the rusting**, the part may crack or snap, for example, when driving through a pothole, which may cause damage to the suspension components.



Structural damage of axle beams caused by corrosion.



It is disadvised to repair damaged and rusted suspension subframes and axle beams. After replacing a damaged support cross-member with a new one, it is necessary to immediately adjust the wheel alignment, just like other suspension components.



The mechanics **recommend checking regularly** (at least once a year) the condition of the suspension system, taking into account the type of roads/surfaces the vehicle covers and the load it bears. Due to the numerous functions of the suspension system, it is best to listen to professional advice to **avoid costly failures** and potential traffic accidents.

Get acquainted with the wide range of the SKV brand products:

* **The SKV wishbones and wishbone sets**

The **04 SKV** product group, with references nos. starting from **04 SKV 001**

** **The SKV oil pans**

The **48 SKV** product group, with ref. nos. starting from **48 SKV 800**

SKV brand strengths

About the SKV brand

30k⁺ Over 30,000 references

100⁺ Over 100 product groups



A dynamically growing brand



High stock levels with 96% availability



Quality backed by a minimum 3-year warranty



Over 500 new products monthly



Free marketing support



Wide range of products



Timely delivery of goods



Certified TecDoc data supplier



Leader in the domestic market



The success of the SKV brand is primarily due to the quality of its products at affordable prices. Production in the factories is systematically monitored by SKV employees.



Find at → www.skv.pl → Car selection → All parts → Body → **Support Frame/Subframe**

ESEN company, the owner of the SKV brand.



Among over 30,000 SKV car parts you will find:



CONTROL ARMS
AND SUSPENSION COMPONENTS



DRIVE
SHAFTS



POWER
STEERING PUMPS



STEERING
KNUCKLES



BRAKE
HOSES



OXYGEN, EGTS,
NOX SENSORS



INTAKE
MANIFOLDS



AIR SUSPENSION
SPRINGS / BAGS



SWITCHES:
LIGHTS, WINDOWS, MIRRORS



HOSES:
TURBO, RADIATOR, INTAKE



BRAKE
CALIPERS



LOCK BARRELS
/ IGNITION SWITCHES



WHEEL
HUBS



OIL
PANS

OVER 500
NEW ITEMS MONTHLY
in existing
and
new product groups.

Become SKV's PARTner!

SKV's diverse range is designed to maximize profitability for its customers.

Ask your distributor for more details.



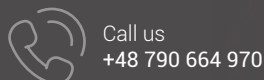
The SKV products are factory-new parts:

- made to the same rigorous manufacturing standards as OE counterparts;
- manufactured on the same production lines as parts from the world's leading manufacturers;
- subjected to the same quality controls as OE parts

SKV - Aftermarket price, OE quality



online catalogue



Call us
+48 790 664 970



Send us an email
sales@skv.pl



Visit us
Papiezka 69 St.
Wloclawek, Poland



Website
www.skv.pl

www.skv.pl

