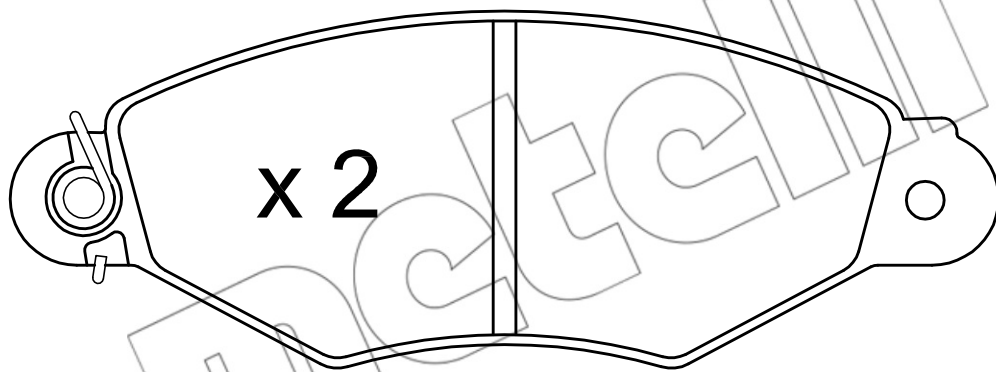
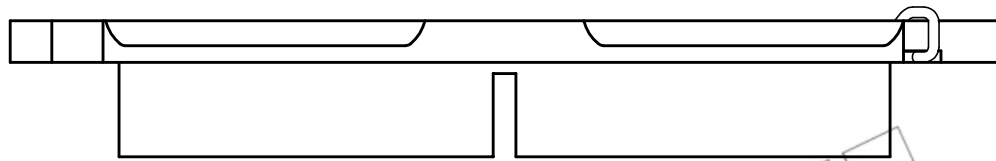
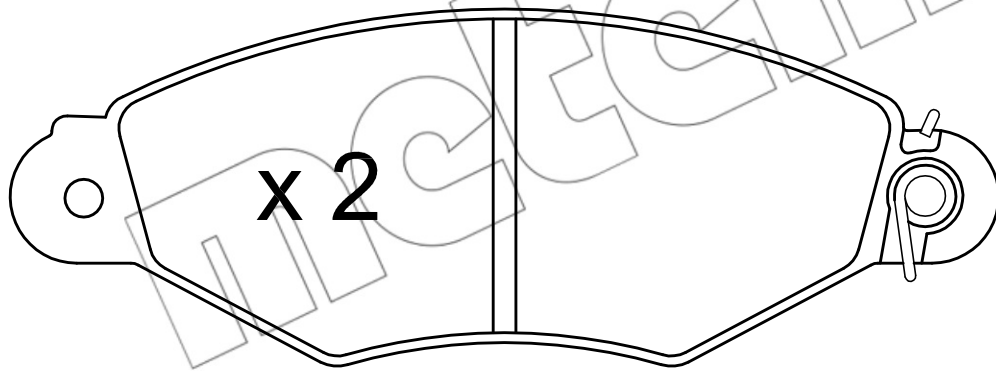
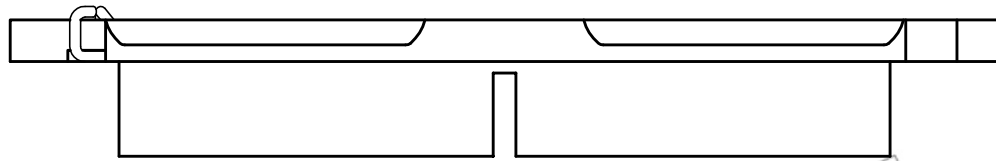


x 1  L = 170



47.3

130.8



18

