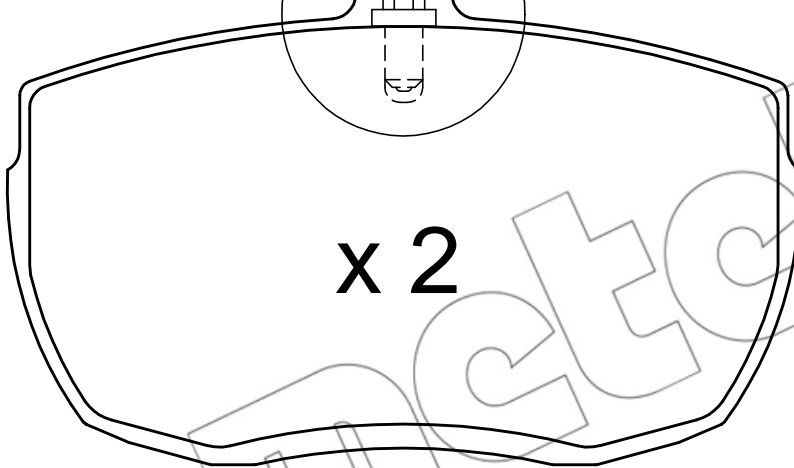
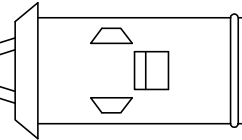
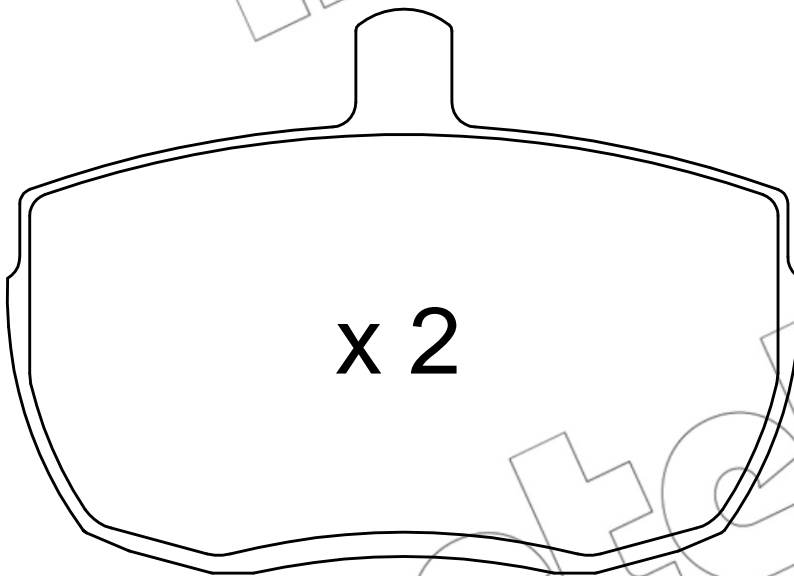
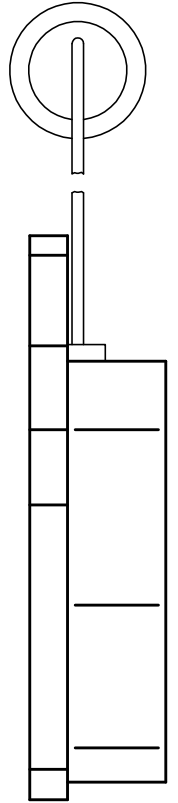


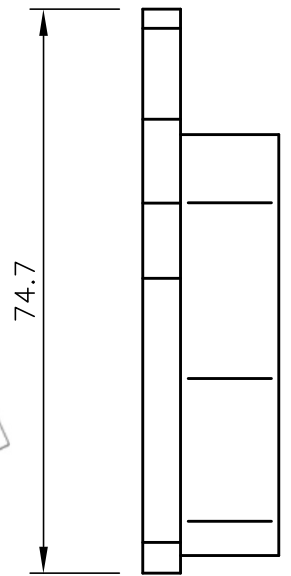
L = 210



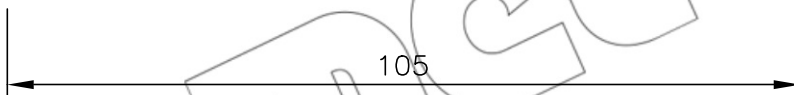
x 2



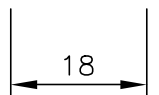
x 2



74.7



105



18