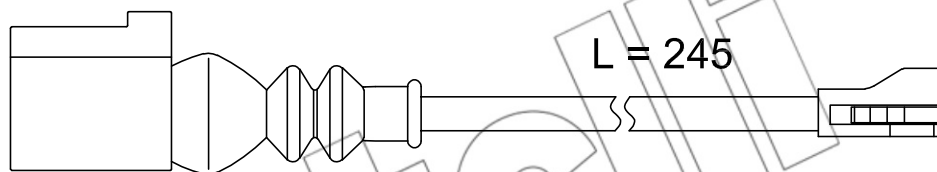
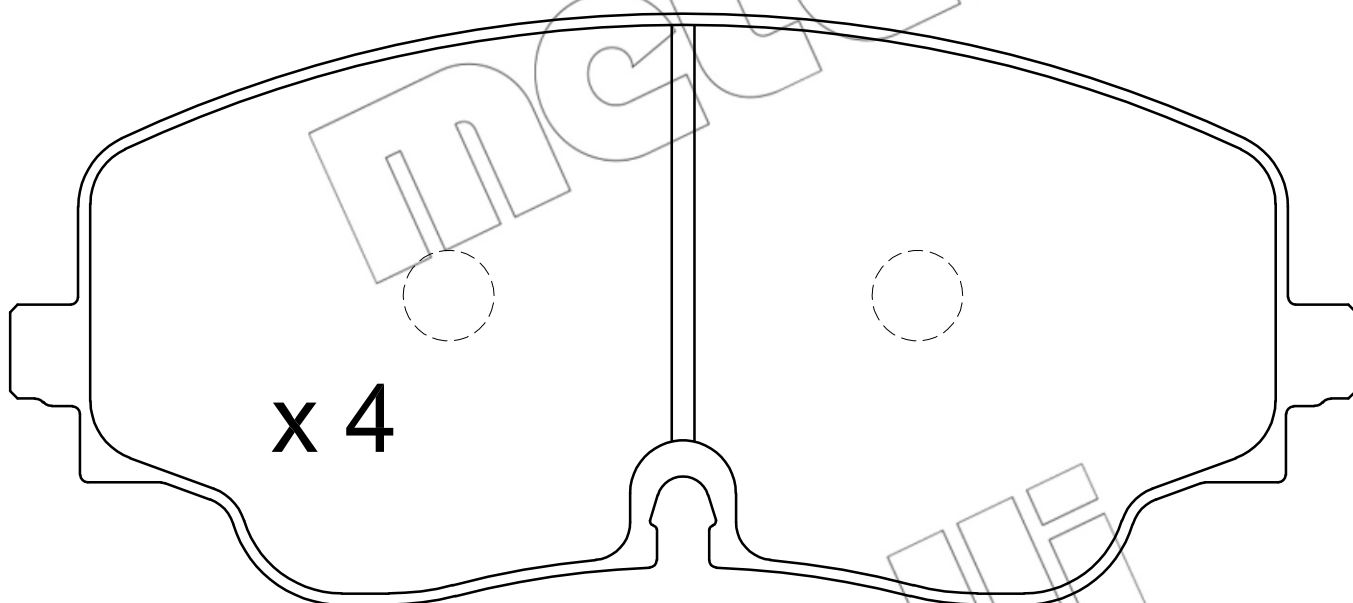


x 1



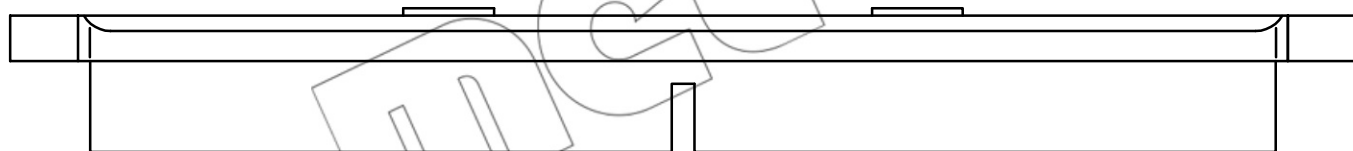
L = 245

x 4

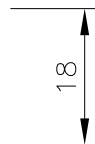


78.2

178



18



metelli