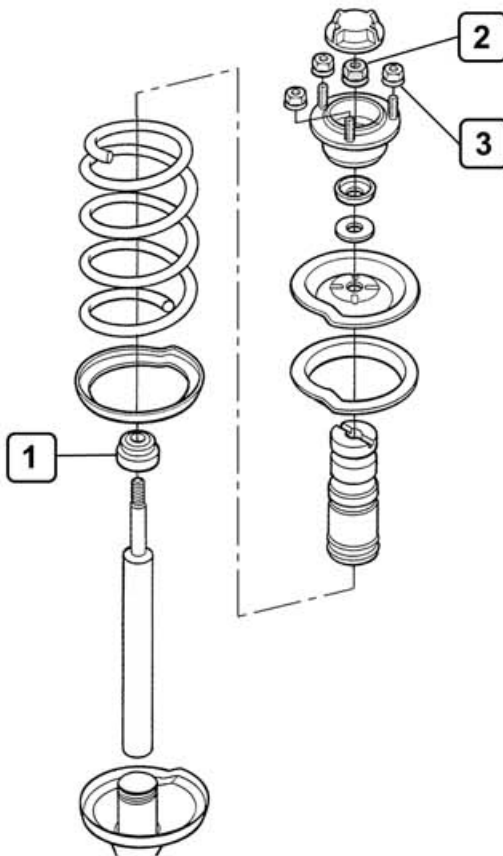


## IN-135



- |                 |                |
|-----------------|----------------|
| <b>1</b> 130 Nm | <b>5</b> 42 Nm |
| <b>2</b> 64 Nm  | <b>6</b> 42 Nm |
| <b>3</b> 22 Nm  | <b>7</b> 33 Nm |
| <b>4</b> 65 Nm  |                |



 O.E  
 KYB

