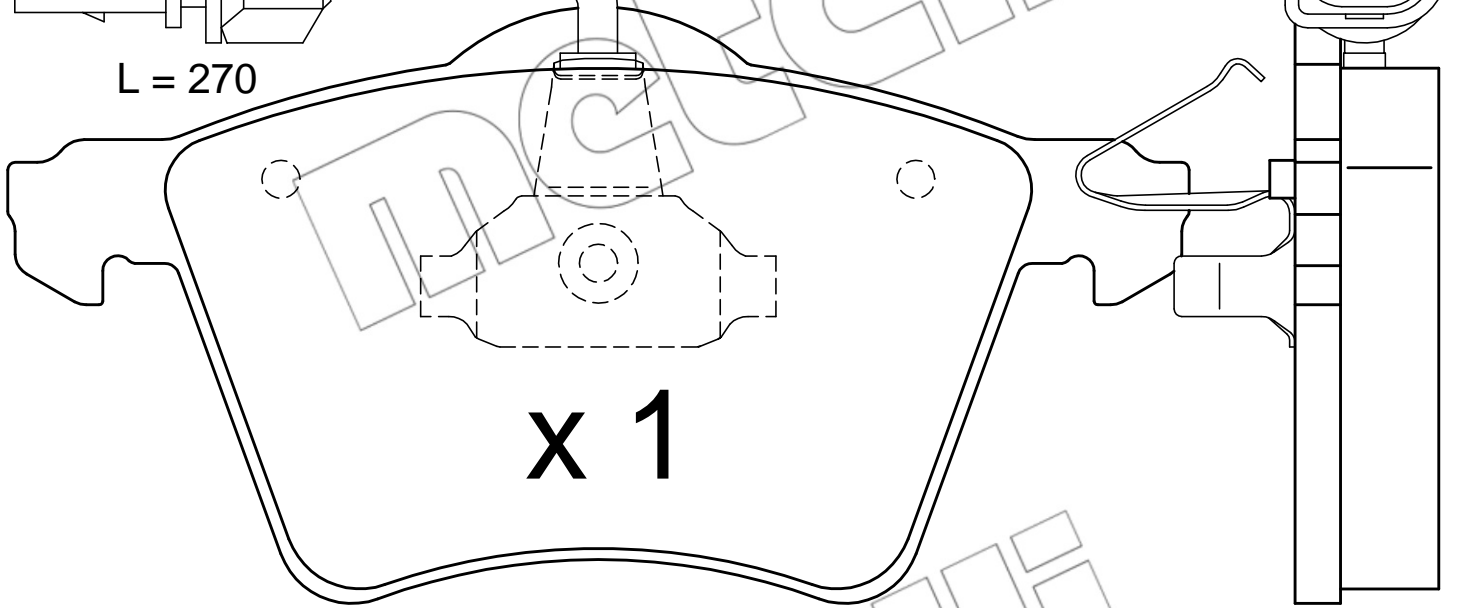
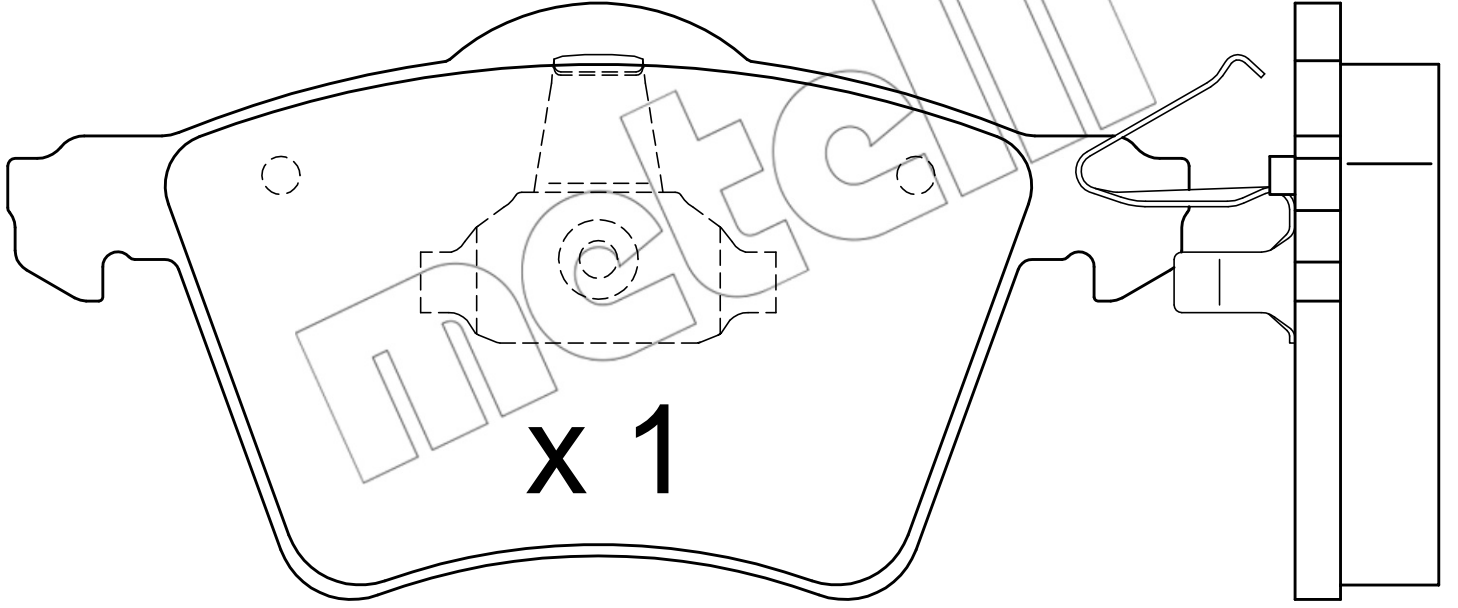


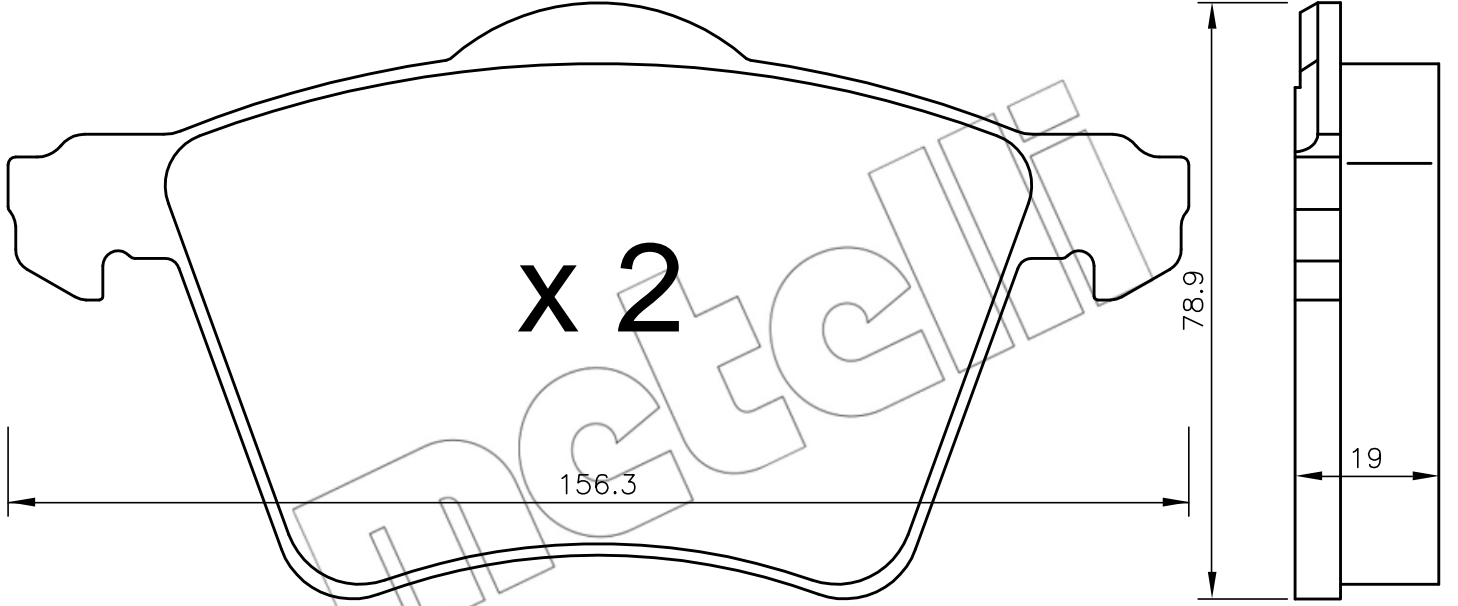
L = 270



x 1



x 1



x 2

156.3

78.9

19