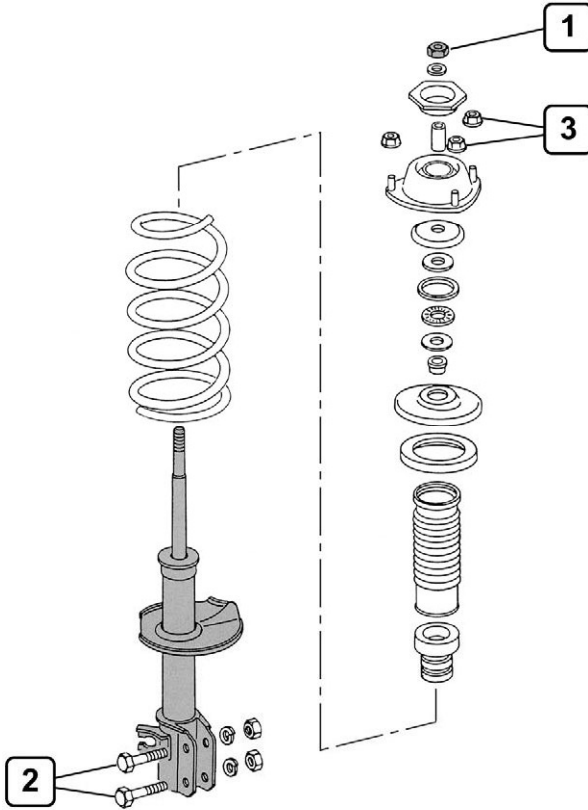


IN-058



- 1** 40 -> 60 Nm
- 2** 70 -> 90 Nm
- 3** 21 -> 33 Nm



 O.E
 KYB

