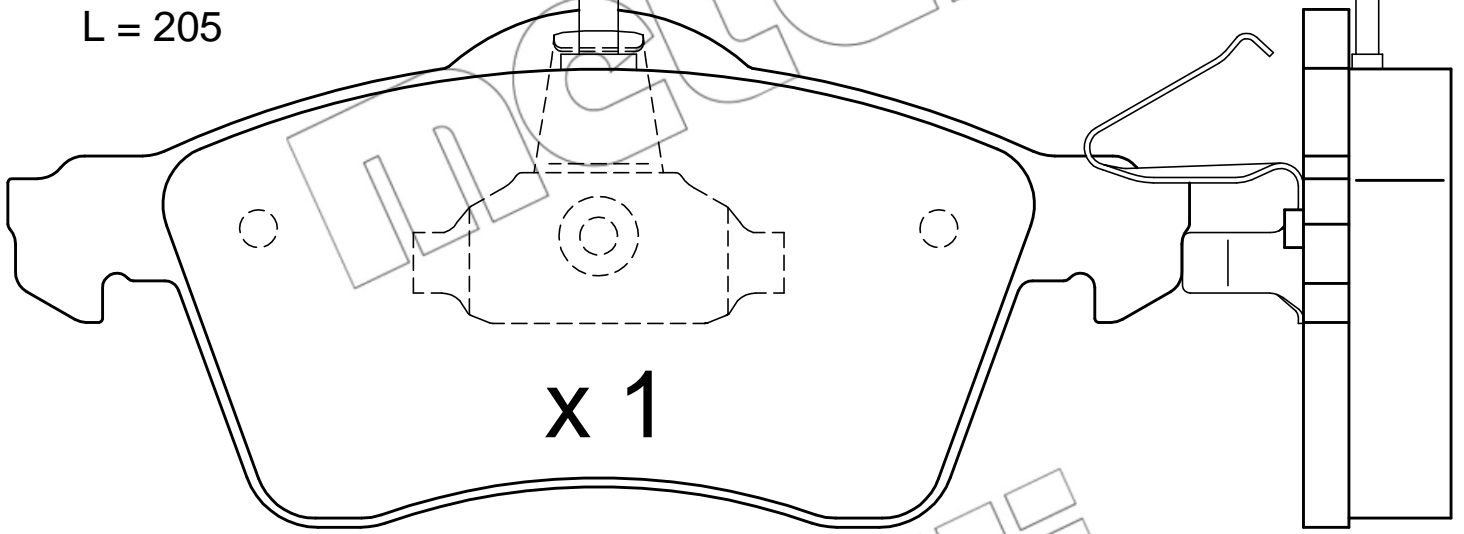
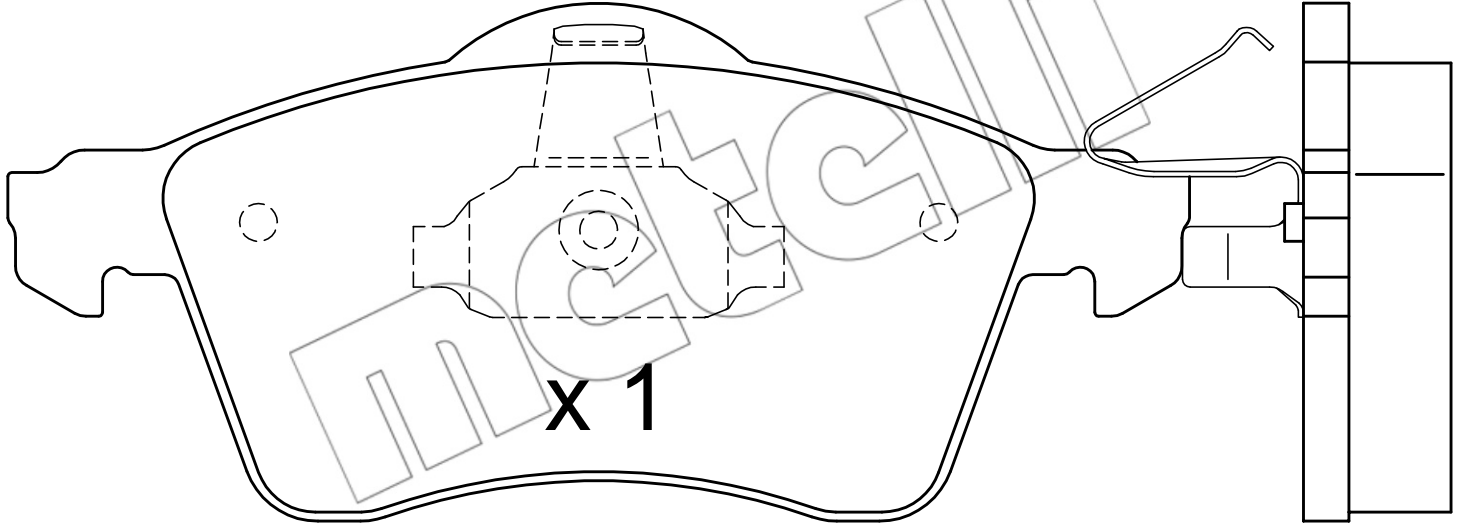


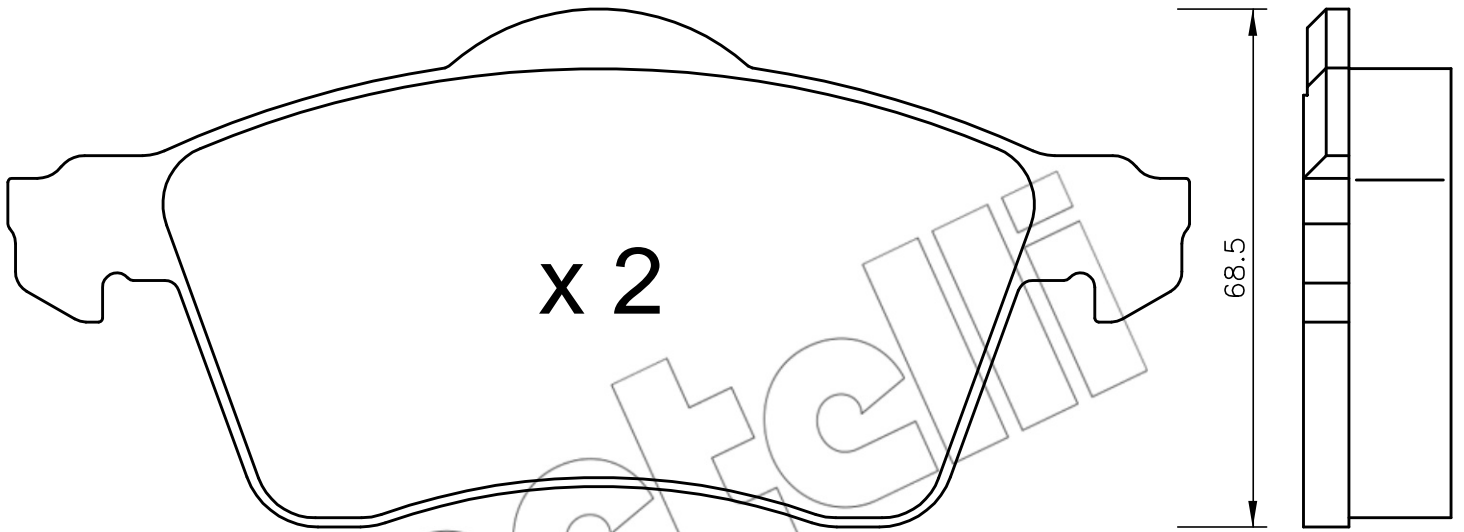
L = 205



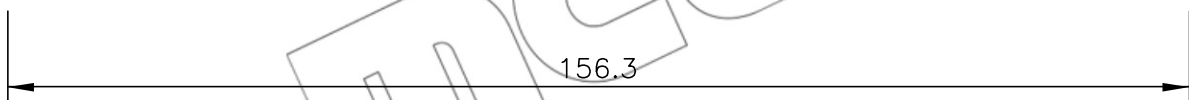
x 1



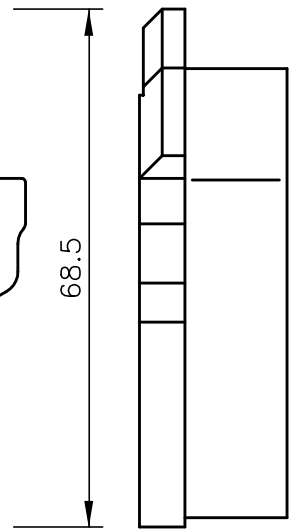
x 1



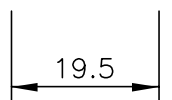
x 2



156.3



68.5



19.5

